

Code: ATLO-BML-274

## BRACKET FOR GLASS DOOR ATLO-BML-274

Net: 26.42 EUR Gross: 32.50 EUR

The set of brackets for glass door and glass door frame for the ATLO-ML-271 electromagnetic lock with lifting capacity of 270 kg.

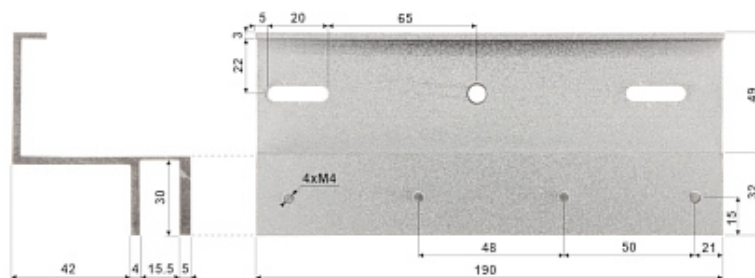


### SPECIFICATION

Material:	Aluminum
Application:	ATLO-ML-271
Max. glass thickness:	12 mm
Min. clearance between the glass and the frame:	6 mm
Weight:	0.35 kg
Dimensions:	190 x 81 x 72.5 mm - A bracket mounted on a glass door 250 x 49 x 48 mm - A bracket mounted to the glass door frame
Manufacturer / Brand:	ATLO
Guarantee:	<b>3 years</b>

### PRESENTATION

A bracket mounted on a glass door:

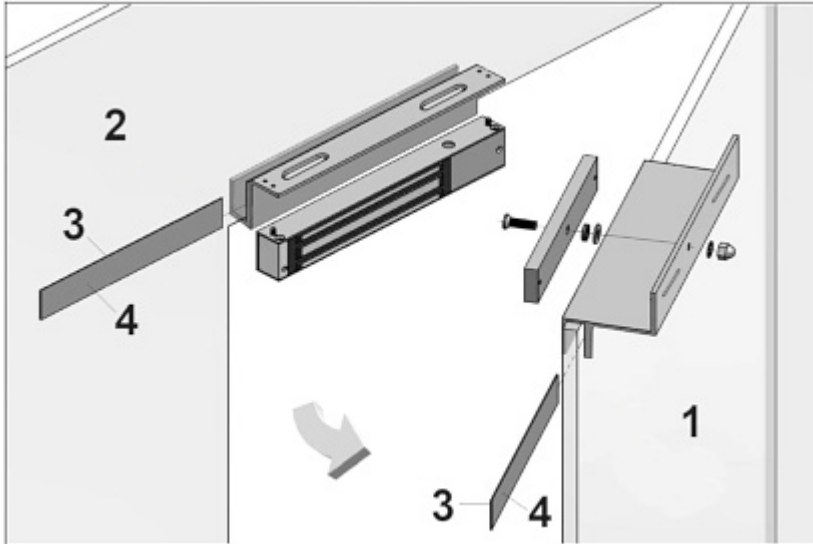


DELTA-OPTI Monika Matysiak; <https://www.delta.poznan.pl>  
POL; 60-713 Poznań; Graniczna 10  
e-mail: delta-opti@delta.poznan.pl; tel: +(48) 61 864 69 60

A bracket mounted to the glass door frame:



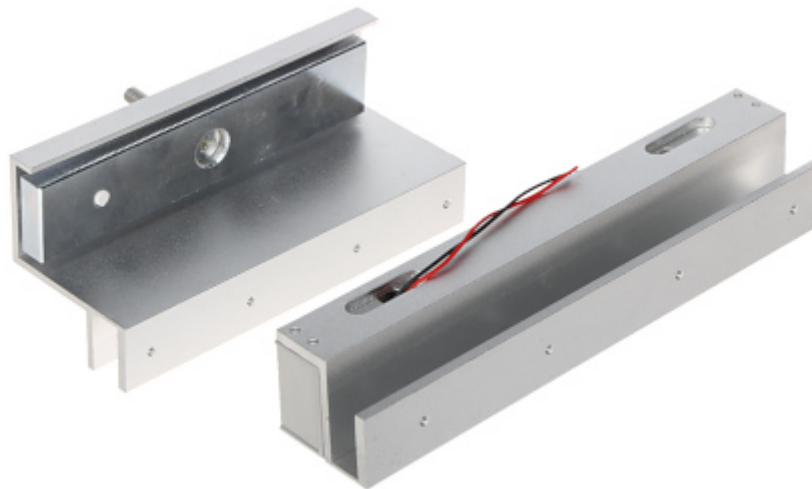
Schematic diagram:



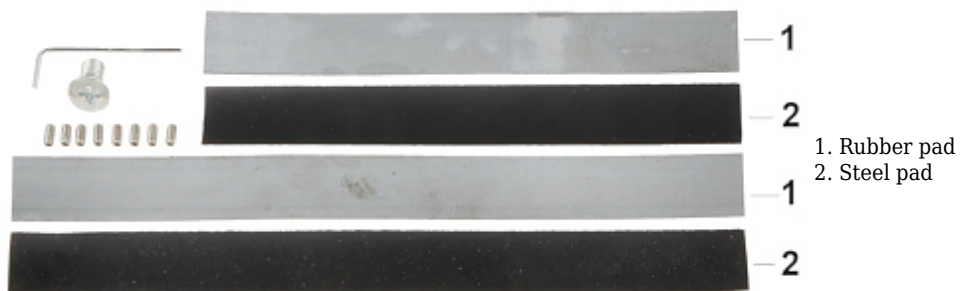
- 1. Glass door
- 2. Glass door frame
- 3. Steel pad
- 4. Rubber pad

Should pay attention to rubber pads mounted between the door and the movable element of the lock. These pads ensure proper fit the lock elements with the door when it is closed.

Bracket with an electromagnetic lock:



In the kit:



- 1. Rubber pad
- 2. Steel pad





DELTA-OPTI Monika Matysiak; <https://www.delta.poznan.pl>  
POL; 60-713 Poznań; Graniczna 10  
e-mail: [delta-opti@delta.poznan.pl](mailto:delta-opti@delta.poznan.pl); tel: +(48) 61 864 69 60