

Code: ASF280F

BRACKET FOR GLASS DOOR **ASF280F** DAHUA

Net: **58.56 EUR** Gross: **72.03 EUR**

The set of brackets for glass door and glass door frame for the ASF280A electromagnetic lock with lifting capacity of 280 kg.

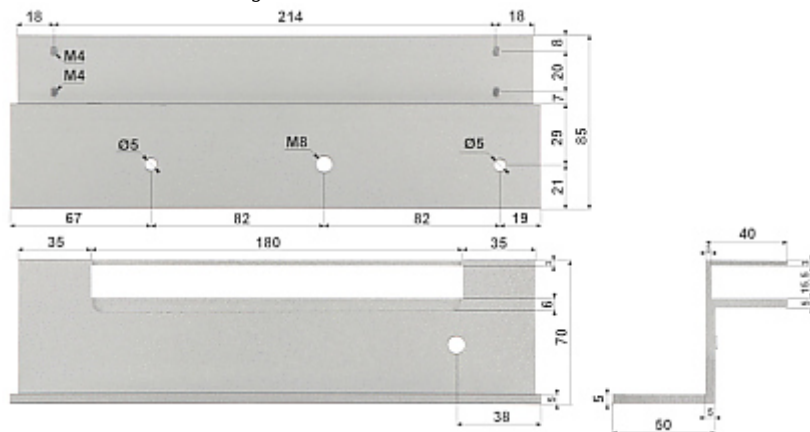


SPECIFICATION

Material:	Aluminum
Application:	ASF280A
Max. glass thickness:	12.5 mm (including the pads included)
Min. clearance between the glass and the frame:	6 mm
Weight:	0.76 kg
Dimensions:	250 x 85 x 70 mm - A bracket mounted on a glass door 250 x 52 x 49.5 mm - A bracket mounted to the glass door frame
Manufacturer / Brand:	DAHUA
Guarantee:	3 years

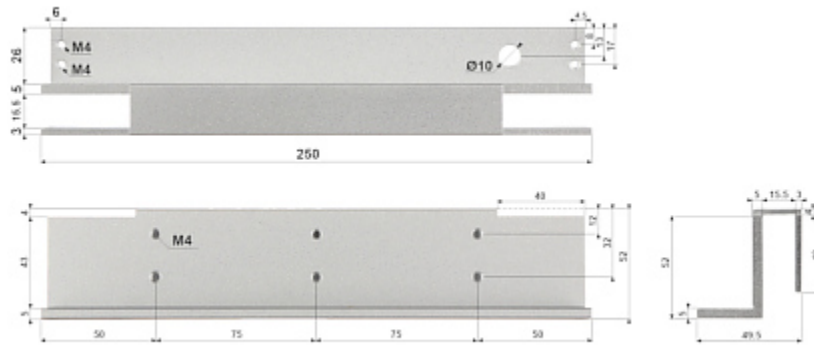
PRESENTATION

A bracket mounted on a glass door:

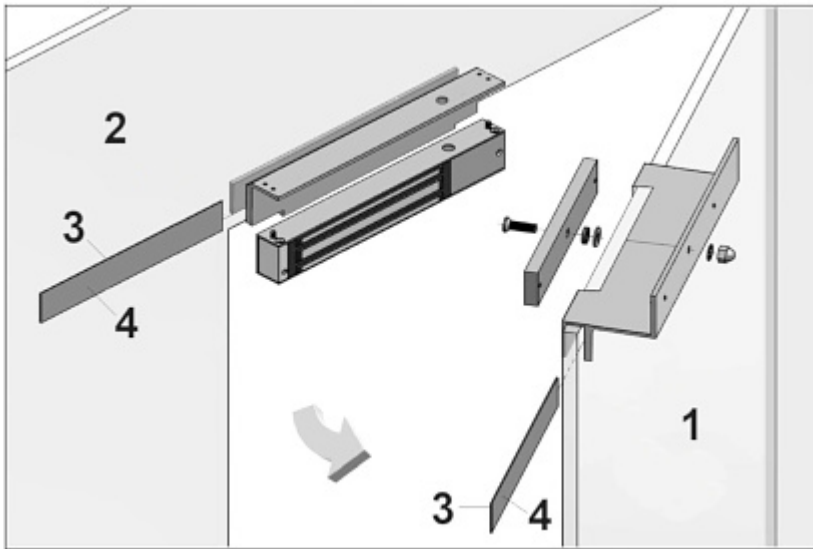


DELTA-OPTI Monika Matysiak; <https://www.delta.poznan.pl>
POL; 60-713 Poznań; Graniczna 10
e-mail: delta-opti@delta.poznan.pl; tel: +(48) 61 864 69 60

A bracket mounted to the glass door frame:



Schematic diagram:



1. Glass door
2. Glass door frame
3. Steel pad
4. Rubber pad

Should pay attention to rubber pads mounted between the door and the movable element of the lock. These pads ensure proper fit the lock elements with the door when it is closed.

In the kit:



1. Rubber pad
2. Steel pad

