

Code: ATLO-ML-361

## ELECTROMAGNETIC LOCK ATLO-ML-361

Net: 53.53 EUR Gross: 53.53 EUR

Electromagnetic lock, surface, single. With a simple design and modern manufacturing technology, is a reliable device to lock doors and gates. It operates reversibly - it is open when power is off. Force an entry closed by lock requires the use of force of > 360 kg. The lock is composed of two elements: electromagnet (usually mounted in the frame) and lock plate (usually mounted in the door). Error free operation of the lock is a result of lack the mechanical elements, which after some time become damaged. Device is designed for indoor use only.

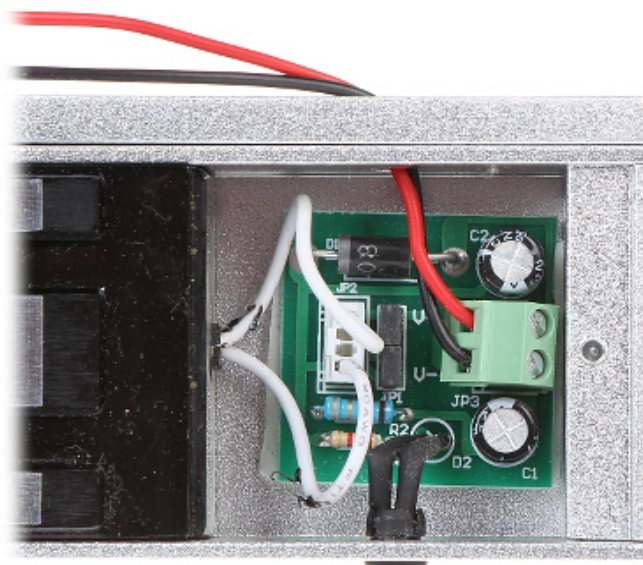


### SPECIFICATION

Load capacity:	361 kg
Rated voltage:	12 V DC
Current consumption:	400 mA
Main features:	<ul style="list-style-type: none"><li>• LED indication,</li><li>• Device is designed for indoor use only</li></ul>
Weight:	1.98 kg
Dimensions:	240 x 43 x 56.5 mm
Manufacturer / Brand:	ATLO
Guarantee:	<b>3 years</b>

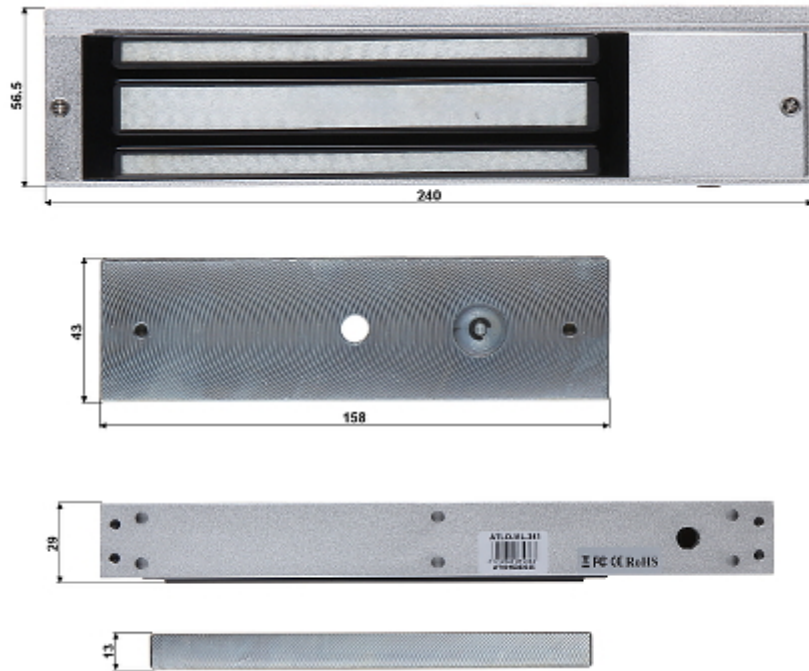
### PRESENTATION

Connectors:

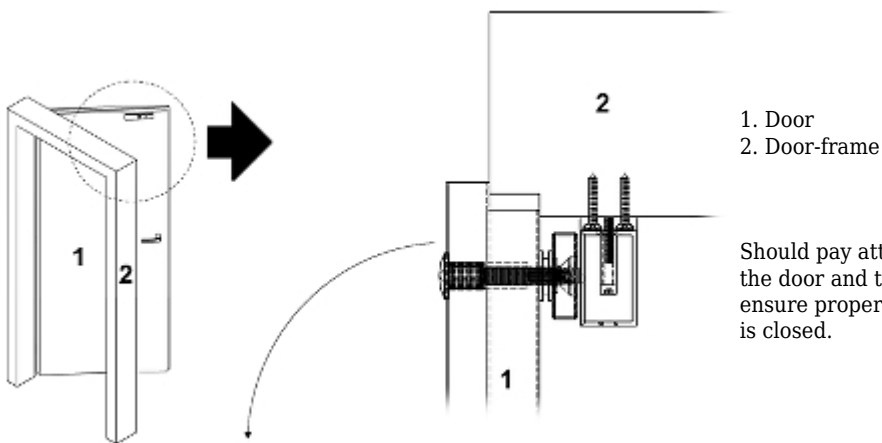


DELTA-OPTI Monika Matysiak; <https://www.delta.poznan.pl>  
POL; 60-713 Poznań; Graniczna 10  
e-mail: delta-opti@delta.poznan.pl; tel: +(48) 61 864 69 60

Dimensions:



Typical operation diagram:



- 1. Door
- 2. Door-frame

Should pay attention to rubber pads mounted between the door and the movable element of the lock. These pads ensure proper fit the lock elements with the door when it is closed.

In the kit:

