

Code: ATLO-BML-273

Z-BRACKET AND L-BRACKET ATLO-BML-273

Net: 27.78 EUR Gross: 27.78 EUR

Z-bracket and L-bracket set for the ATLO-ML-271 electromagnetic lock with load capacity of 270 kg.

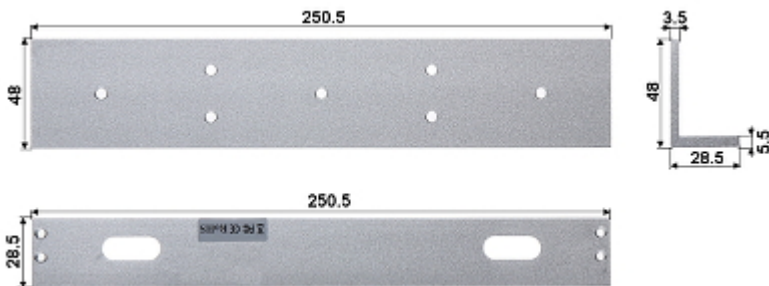


SPECIFICATION

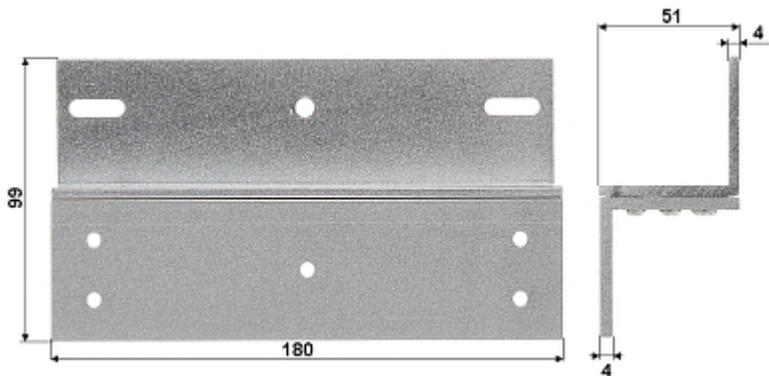
Material:	Aluminum
Application:	ATLO-ML-271
Weight:	0.58 kg (total)
Dimensions:	180 x 99 x 51 mm - Z-bracket 250.5 x 48 x 28.5 mm - L-bracket
Manufacturer / Brand:	ATLO
Guarantee:	3 years

PRESENTATION

L-bracket:



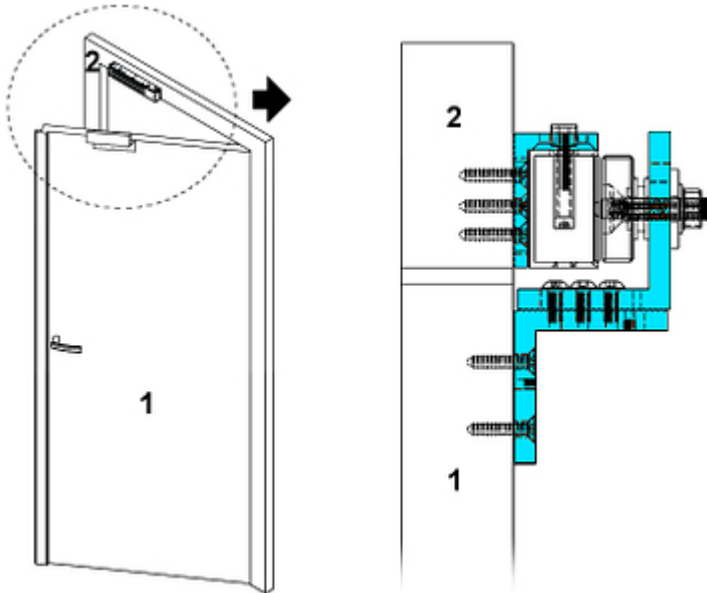
Z-bracket:



Typical operation diagram:



DELTA-OPTI Monika Matysiak; <https://www.delta.poznan.pl>
POL; 60-713 Poznań; Graniczna 10
e-mail: delta-opti@delta.poznan.pl; tel: +(48) 61 864 69 60



- 1. Door
- 2. Door-frame

Should pay attention to rubber pads mounted between the door and the movable element of the lock. These pads ensure proper fit the lock elements with the door when it is closed.

In the kit:



PACKAGE

Dimensions (L x W x H): 0x0x0 mm	Gross Weight: 0 kg
----------------------------------	--------------------