

Code: ATLO-BML-361

L-BRACKET ATLO-BML-361

Net: 53.00 PLN Gross: 65.19 PLN

Mounting L-bracket for electromagnetic lock.

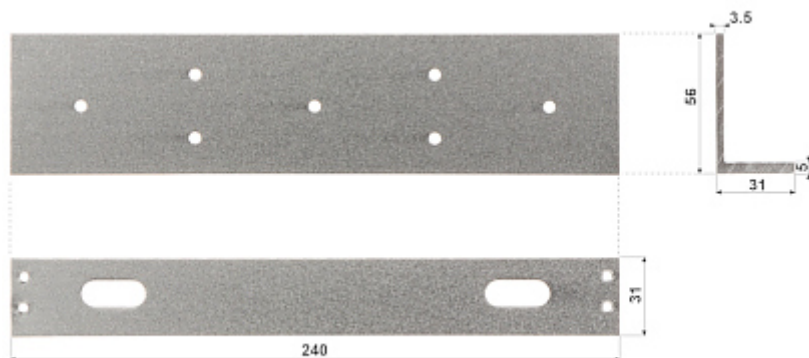


SPECIFICATION

Material:	Aluminum
Application:	ATLO-ML-361, ATLO-ML-D362
Weight:	0.2 kg
Dimensions:	240 x 31 x 56 mm
Manufacturer / Brand:	ATLO
Guarantee:	3 years

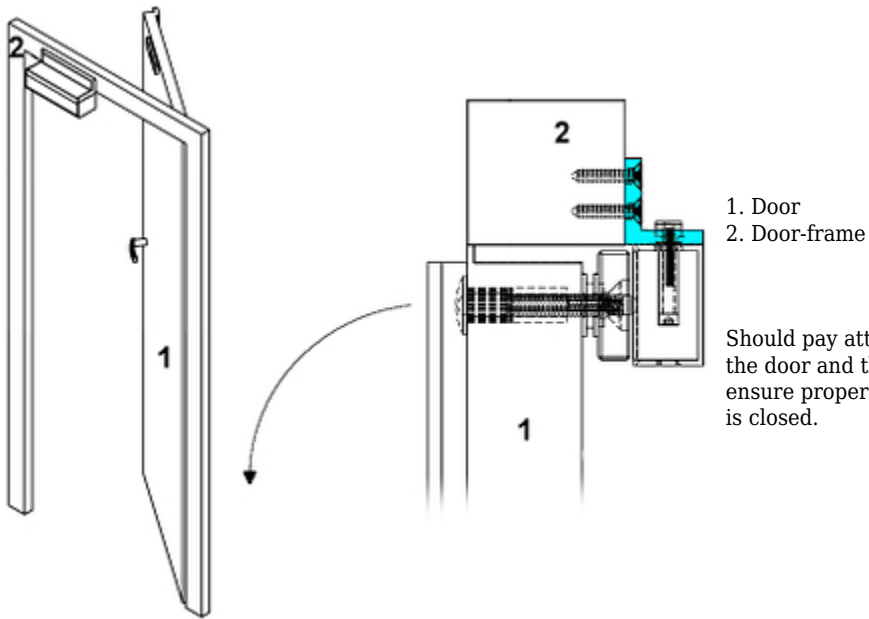
PRESENTATION

Dimensions:



DELTA-OPTI Monika Matysiak; <https://www.delta.poznan.pl>
POL; 60-713 Poznań; Graniczna 10
e-mail: delta-opti@delta.poznan.pl; tel: +(48) 61 864 69 60

Schematic diagram:



Should pay attention to rubber pads mounted between the door and the movable element of the lock. These pads ensure proper fit the lock elements with the door when it is closed.

In the kit:

