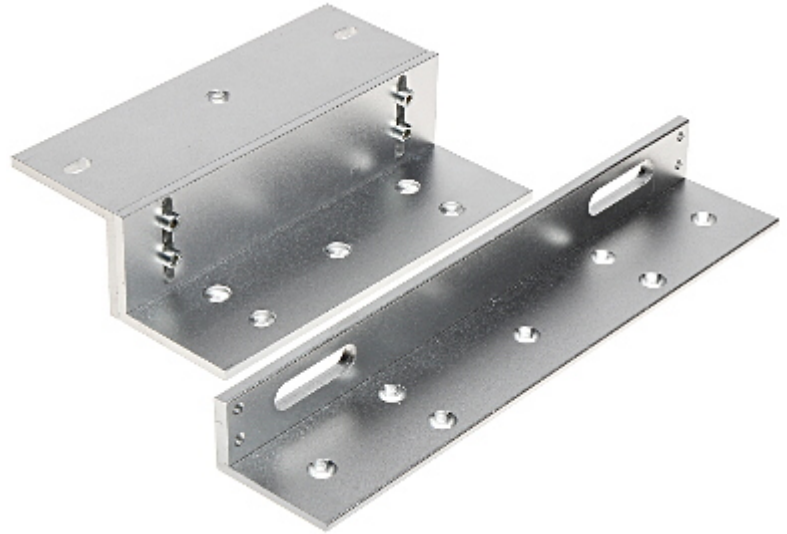


Code: ATLO-BML-363

Z-BRACKET AND L-BRACKET ATLO-BML-363

Net: 139.00 PLN Gross: 170.97 PLN



Z-bracket and L-bracket set for the ATLO-ML-361 electromagnetic lock with load capacity of 360 kg.

SPECIFICATION

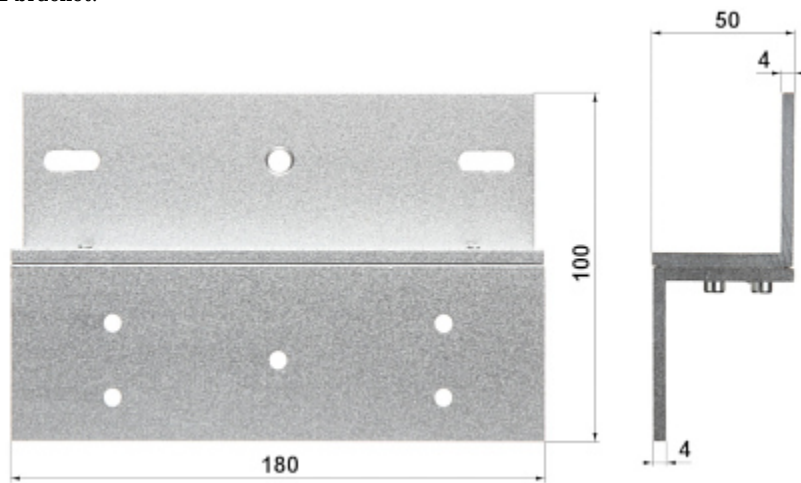
Material:	Aluminum
Application:	ATLO-ML-361, ATLO-ML-D362
Weight:	0.52 kg (total)
Dimensions:	241 x 48 x 28 mm - L-bracket 158 x 105 x 45 mm - Z-bracket
Manufacturer / Brand:	ATLO
Guarantee:	3 years

PRESENTATION

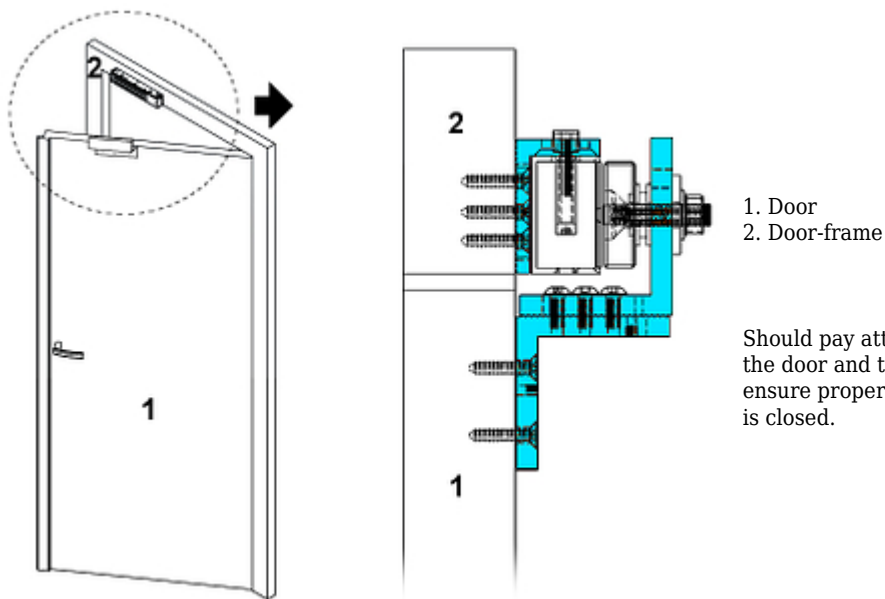
L-bracket:



Z-bracket:



Typical operation diagram:



Should pay attention to rubber pads mounted between the door and the movable element of the lock. These pads ensure proper fit the lock elements with the door when it is closed.

In the kit:

