

Code: R4-24.13

## ELECTRIC STRIKE **R4-24.13** REVERSIBLE

Net: **18.28 EUR** Gross: **22.48 EUR**



The electric strike of R4-24.13 type is designed for door and gates made from metal profiles, to work together with ratchet-latch or ratchet type door lock. It operates reversibly - it is open when power is off.

### SPECIFICATION

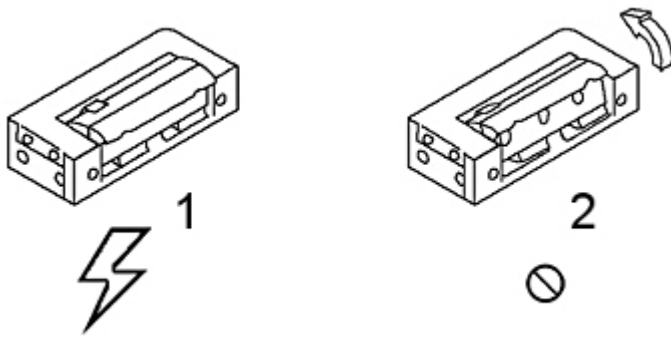
Rated voltage:	24 V $\pm$ 2 V DC
Current consumption:	105 ... 125 mA DC
Application:	right side door / left side door
Ratched lock:	—
Memory function:	—
Reverse action:	✓
Clearance adjustment:	✓
Allowable thrust on the door at ratchet release:	30 N
Allowable load of the door impacting the lock:	3000 N
Allowable uninterrupted operation time:	unlimited
Weight:	0.164 kg
Dimensions:	21 x 29 x 68 mm
Guarantee:	2 years

### PRESENTATION

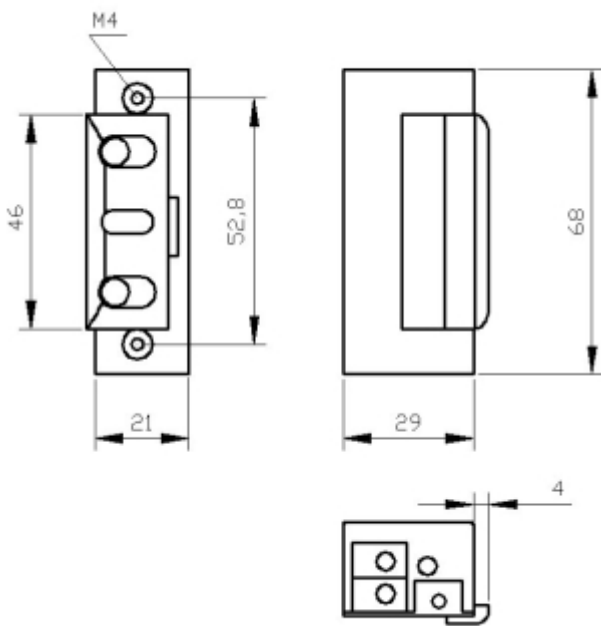
DELTA-OPTI Monika Matysiak; <https://www.delta.poznan.pl>  
POL; 60-713 Poznań; Graniczna 10  
e-mail: [delta-opti@delta.poznan.pl](mailto:delta-opti@delta.poznan.pl); tel: +(48) 61 864 69 60



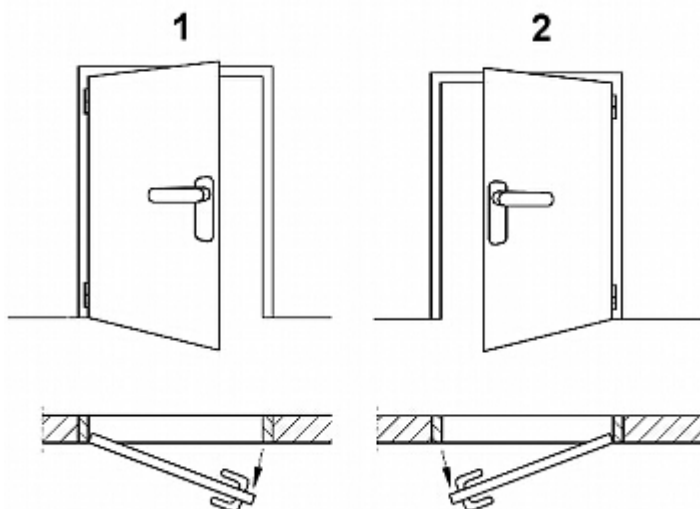
Schematic diagram (principle of operation):



- 1. 24V  
bolt locked
  - 2. no voltage  
bolt unlocked
- Dimensions:



Determination of the left- and right side doors:



- 1. left side door
- 2. right side door



## PACKAGE

Dimensions (L x W x H): 0x0x0 mm	Gross Weight: 0 kg
----------------------------------	--------------------

