

Code: R4-24.20

ELECTRIC STRIKE **R4-24.20**

Net: **14.43 EUR** Gross: **17.75 EUR**



The electric strike of R4-24.20 type is designed for door and gates made from metal profiles, to work together with ratchet-latch or ratchet type door lock.

SPECIFICATION

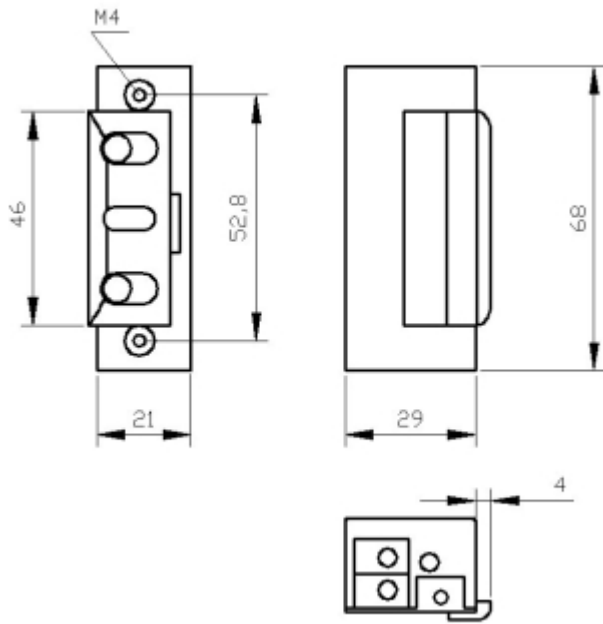
Rated voltage:	24 V \pm 2 V AC/DC
Current consumption:	80 ... 100 mA AC 120 ... 140 mA DC
Application:	right side door / left side door
Ratched lock:	✓
Memory function:	—
Reverse action:	—
Clearance adjustment:	✓
Allowable thrust on the door at ratchet release:	30 N
Allowable load of the door impacting the lock:	3000 N
Allowable uninterrupted operation time:	30 minutes
Weight:	0.166 kg
Dimensions:	21 x 29 x 68 mm
Guarantee:	2 years

PRESENTATION

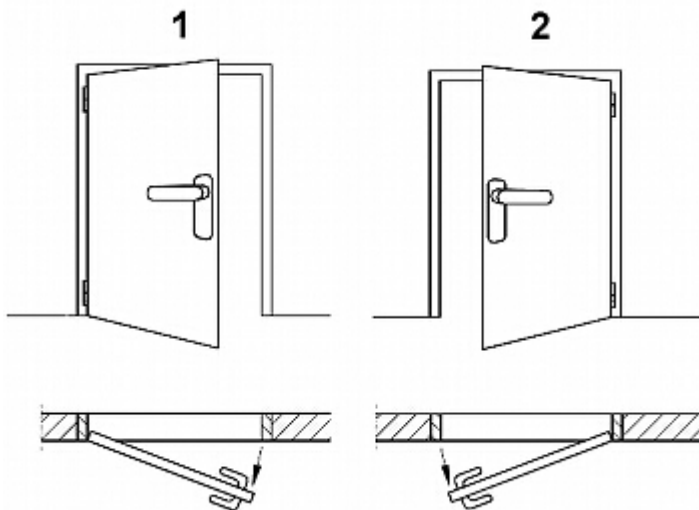
DELTA-OPTI Monika Matysiak; <https://www.delta.poznan.pl>
POL; 60-713 Poznań; Graniczna 10
e-mail: delta-opti@delta.poznan.pl; tel: +(48) 61 864 69 60



Dimensions:



Determination of the left- and right side doors:



- 1. left side door
- 2. right side door

PACKAGE

Dimensions (L x W x H): 0x0x0 mm	Gross Weight: 0 kg
----------------------------------	--------------------

