

Code: ASF601A

## ELECTRICALLY OPERATED BOLT ASF601A DAHUA

Net: 387.00 PLN Gross: 476.01 PLN

Electrically operated bolt with locking against closing the door in the wrong position.

**Attention!** In the event of a power cut, the bolt remains in the position it was in before the power failure.



### SPECIFICATION

Rated voltage:	12 V DC
Current consumption:	max. 300 mA
Application:	right side door / left side door
Ratched lock:	—
Memory function:	✓
Reverse action:	—
Clearance adjustment:	—
Allowable uninterrupted operation time:	unlimited
Main features:	<ul style="list-style-type: none"><li>• Cooperation with video doorphone and access control systems</li><li>• Protection against ejection of the bolt when the door position is wrong</li><li>• Automatic door locking after 15s if unlocked but not opened</li></ul>
Weight:	1.38 kg
Dimensions:	130 x 105 x 40 mm - Electromagnetic lock 40 x 105 x 40 mm - Clamp
Manufacturer / Brand:	DAHUA
Guarantee:	<b>3 years</b>

### PRESENTATION

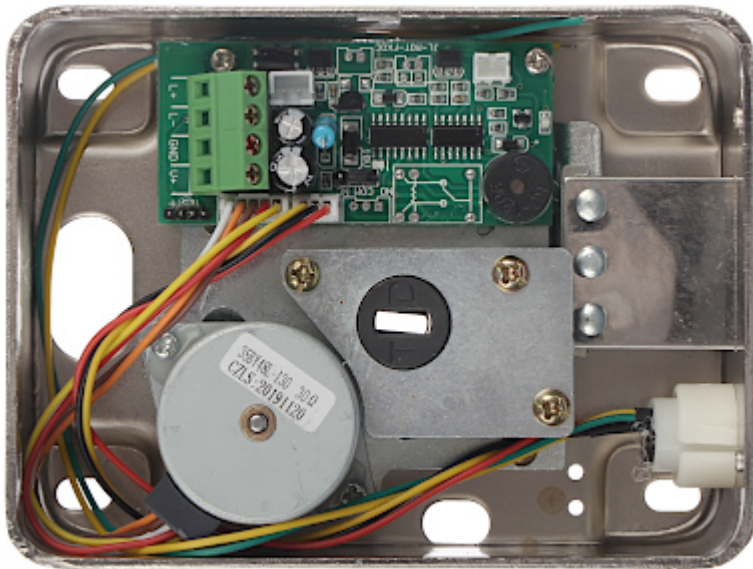
Front view:

DELTA-OPTI Monika Matysiak; <https://www.delta.poznan.pl>  
POL; 60-713 Poznań; Graniczna 10  
e-mail: delta-opti@delta.poznan.pl; tel: +(48) 61 864 69 60

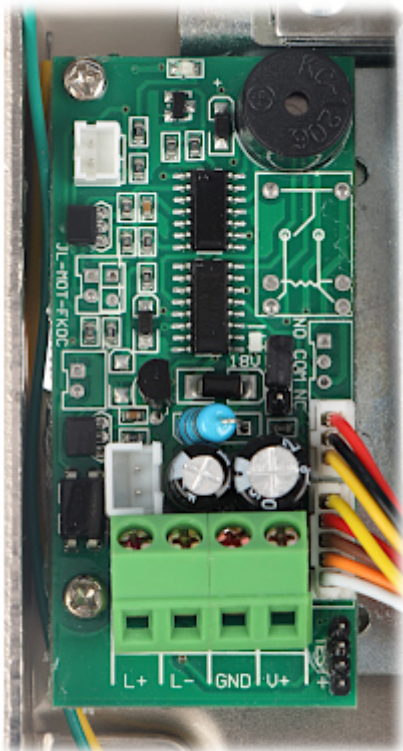


Internal view of the housing:





Connectors:

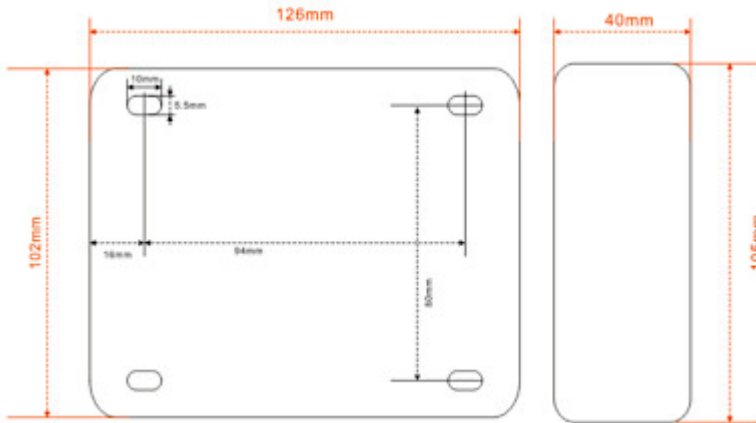


Rear view:





Mounting dimensions:



In the kit:



**PACKAGE**

Dimensions (L x W x H): 0x0x0 mm	Gross Weight: 0 kg
----------------------------------	--------------------

