

Code: R4-12.11

ELECTRIC STRIKE R4-12.11

Net: 15.02 EUR Gross: 18.47 EUR



Symmetrical electric strike with reduced power consumption.

The electric strike of R4-12.11 type is designed for door and gates made from metal profiles, to work together with ratchet-latch or ratchet type door lock.

SPECIFICATION

Rated voltage:	11 V \pm 1 V DC
Current consumption:	240 mA @ 10 V DC / 290 mA @ 12 V DC
Application:	right side door / left side door
Ratched lock:	—
Memory function:	—
Reverse action:	—
Clearance adjustment:	3 mm
Allowable thrust on the door at ratchet release:	30 N
Allowable load of the door impacting the lock:	3000 N
Allowable uninterrupted operation time:	unlimited
Weight:	0.16 kg
Dimensions:	21 x 29 x 68 mm
Guarantee:	2 years

PRESENTATION

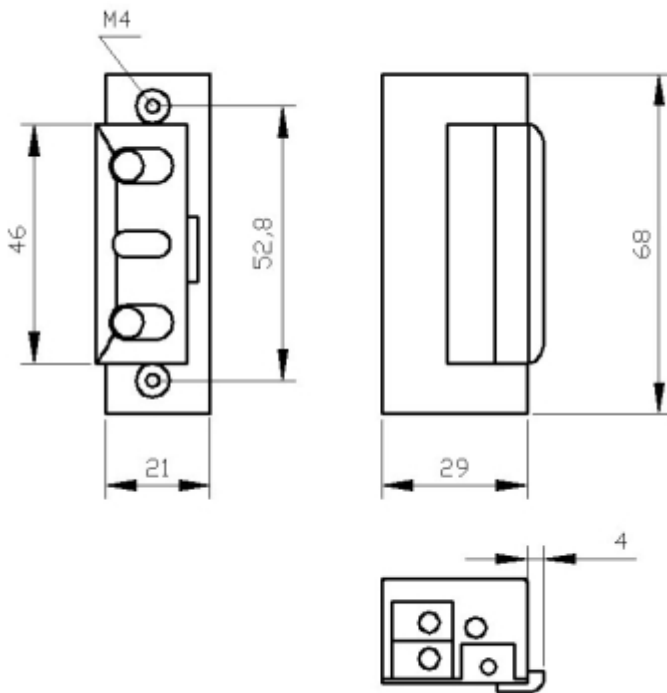
DELTA-OPTI Monika Matysiak; <https://www.delta.poznan.pl>
POL; 60-713 Poznań; Graniczna 10
e-mail: delta-opti@delta.poznan.pl; tel: +(48) 61 864 69 60



Connectors:

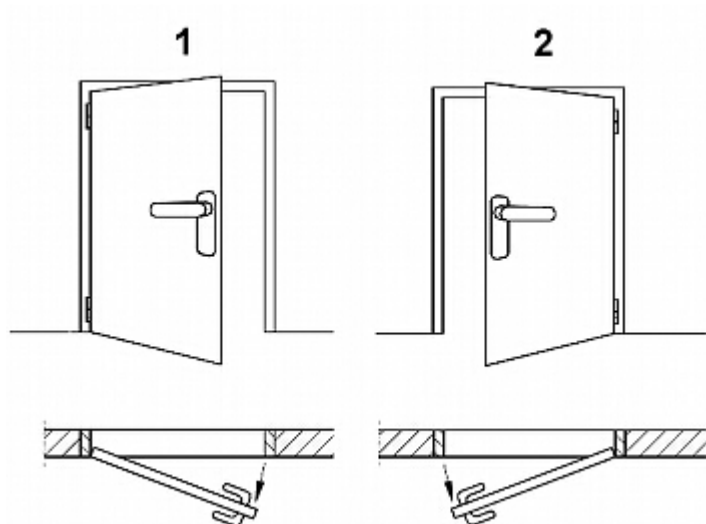


Dimensions:



Determination of the left- and right side doors:





- 1). right side door
- 2). left side door

OUR OPINIONS



- Low current consumption.

PACKAGE

Dimensions (L x W x H): 0x0x0 mm	Gross Weight: 0 kg
----------------------------------	--------------------

