

Code: R3-12.21P

ELECTRIC STRIKE **R3-12.21P**

Net: **15.95 EUR** Gross: **19.62 EUR**

The electric strike of R3-12.21P type is designed for door and gates made from metal profiles, to work together with ratchet-latch or ratchet type door lock.

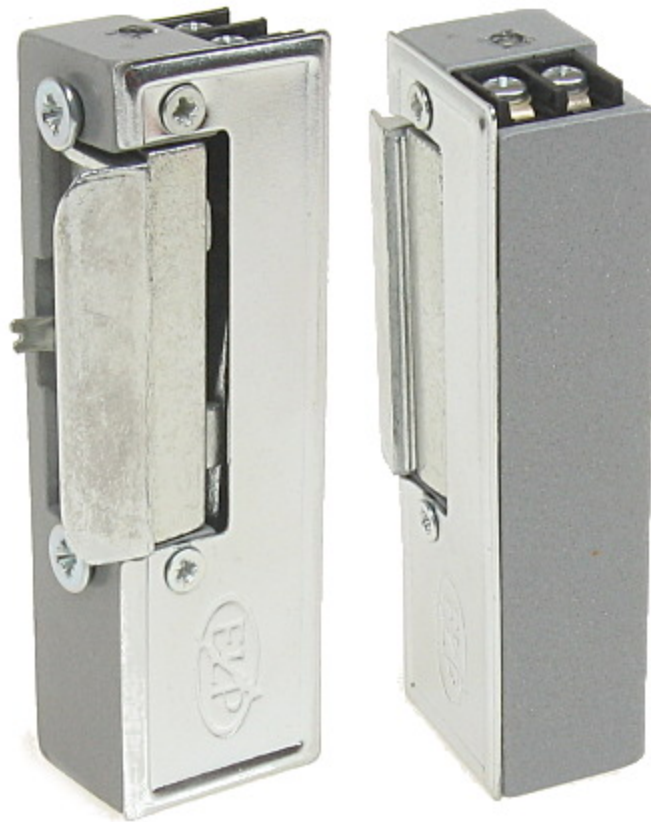


SPECIFICATION

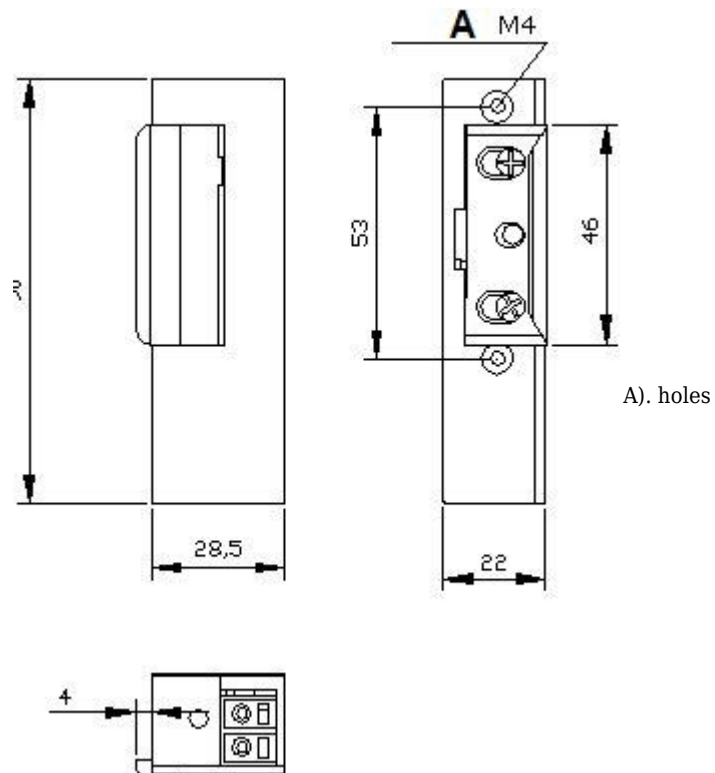
Rated voltage:	11 V \pm 1 V AC/DC
Current consumption:	240 mA AC / 350 mA DC
Application:	right side door
Ratched lock:	✓
Memory function:	—
Reverse action:	—
Clearance adjustment:	✓
Allowable thrust on the door at ratchet release:	30 N
Allowable load of the door impacting the lock:	3000 N
Allowable uninterrupted operation time:	unlimited
Weight:	0.20 kg
Dimensions:	22 x 28.5 x 90 mm
Guarantee:	2 years

PRESENTATION

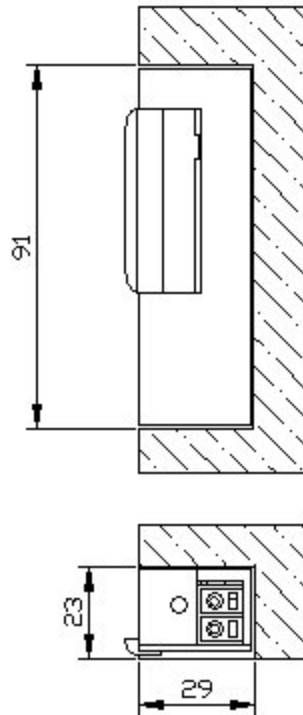
DELTA-OPTI Monika Matysiak; <https://www.delta.poznan.pl>
POL; 60-713 Poznań; Graniczna 10
e-mail: delta-opti@delta.poznan.pl; tel: +(48) 61 864 69 60



Dimensions:



Assembly:



Attention! The right orientation of the strike during montage:



Determination of the left- and right side doors:



- 1). right side door
- 2). left side door