

Code: R3-12.11L

ELECTRIC STRIKE **R3-12.11L**

Net: **10.81 EUR** Gross: **13.30 EUR**



The electric strike of R3-12.11L type is designed for door and gates made from metal profiles, to work together with ratchet-latch or ratchet type door lock.

SPECIFICATION

Rated voltage:	11 V \pm 1 V AC/DC
Current consumption:	240 mA AC / 350 mA DC
Application:	left side door
Ratched lock:	—
Memory function:	—
Reverse action:	—
Clearance adjustment:	✓
Allowable thrust on the door at ratchet release:	30 N
Allowable load of the door impacting the lock:	3000 N
Allowable uninterrupted operation time:	unlimited
Weight:	0.20 kg
Dimensions:	20 x 28.5 x 90 mm
Guarantee:	2 years

PRESENTATION

DELTA-OPTI Monika Matysiak; <https://www.delta.poznan.pl>
POL; 60-713 Poznań; Graniczna 10
e-mail: delta-opti@delta.poznan.pl; tel: +(48) 61 864 69 60



Elektra Plus Poznań
ul. Górczewska 68, tel. +48 61 864 69 60
Zacznik R3.1 (R3.1) 2018-02-05
Data produkcji: 2018-02-05
Typ: R3.131L
Napięcie: 115V
Moc: 100VA

CE
1664
10

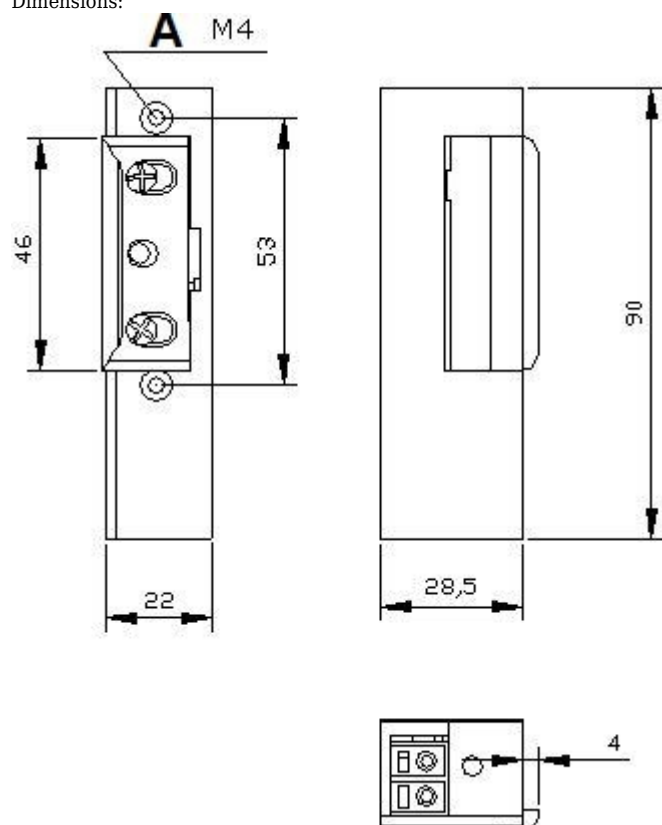


Elektra Plus Poznań
ul. Górczewska 68, tel. +48 61 864 69 60
Zacznik R3.1 (R3.1) 2018-02-05
Data produkcji: 2018-02-05
Typ: R3.131L
Napięcie: 115V
Moc: 100VA

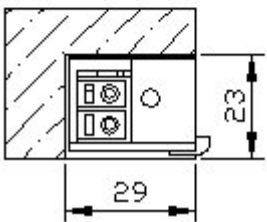
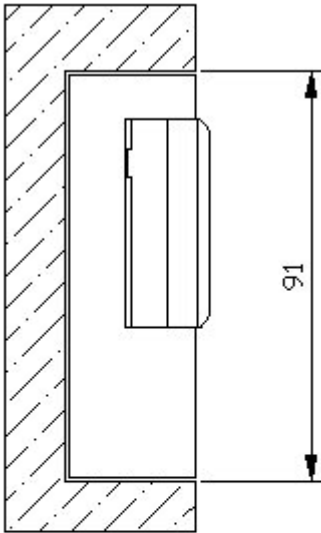
CE
1664
10



Dimensions:



A). holes
Assembly:



Attention! The right orientation of the strike during montage:



Determination of the left- and right side doors:



- 1). right side door
- 2). left side door