

Code: SZZ-9C

FACE PLATE **SZZ-9C**

Net: 2.92 EUR Gross: 3.59 EUR

Angular, short plate adapted for right-hand door. However, its construction allows to mount this plate to left-hand door. Plate is zinc coating covered.



SPECIFICATION

Application:	Adapted for left- and right-hand door
Weight:	0.13 kg
Dimensions:	27 x 150 x 33 mm Plate thickness 2.5 mm
Guarantee:	2 years

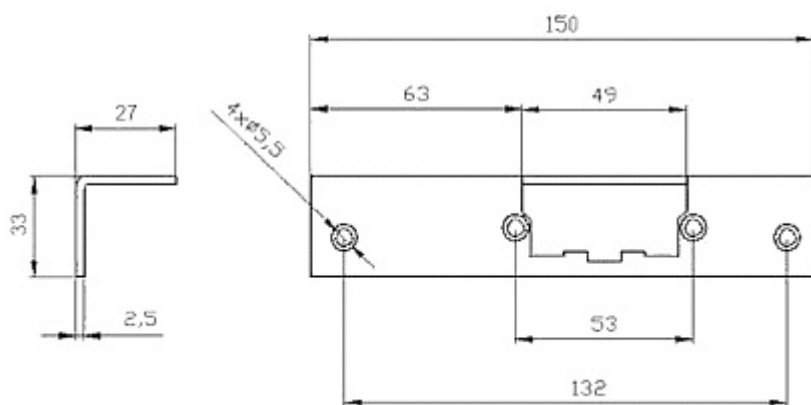
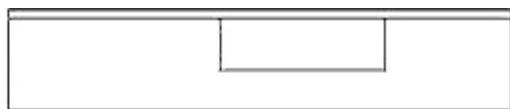
PRESENTATION



DELTA-OPTI Monika Matysiak; <https://www.delta.poznan.pl>
POL; 60-713 Poznań; Graniczna 10
e-mail: delta-opti@delta.poznan.pl; tel: +(48) 61 864 69 60



Dimensions:



Determination of the left- and right side doors:



- 1) right side door
- 2) left side door

