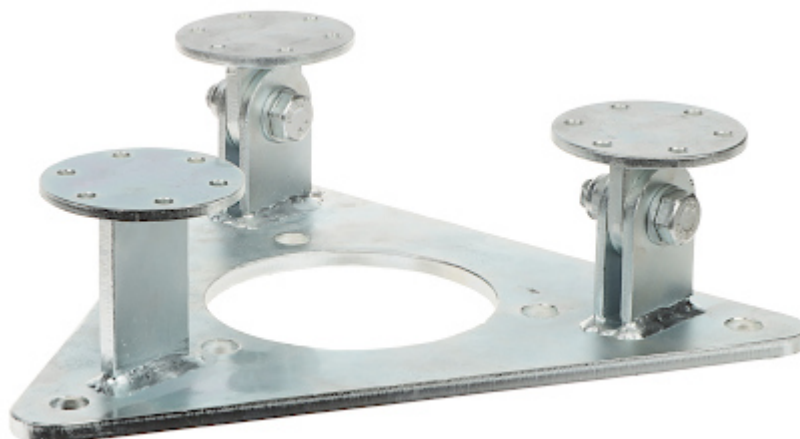


Code: MK-1.5/POD-HD

FOOTING FOR MASTS MK-1.5/POD-HD

Net: 181.81 EUR Gross: 181.81 EUR

The MK-1.5/POD-HD reinforced base for free-standing truss masts from the MK-1.5 series is intended for installation in mountain conditions and other places where strong gusts of wind may occur.

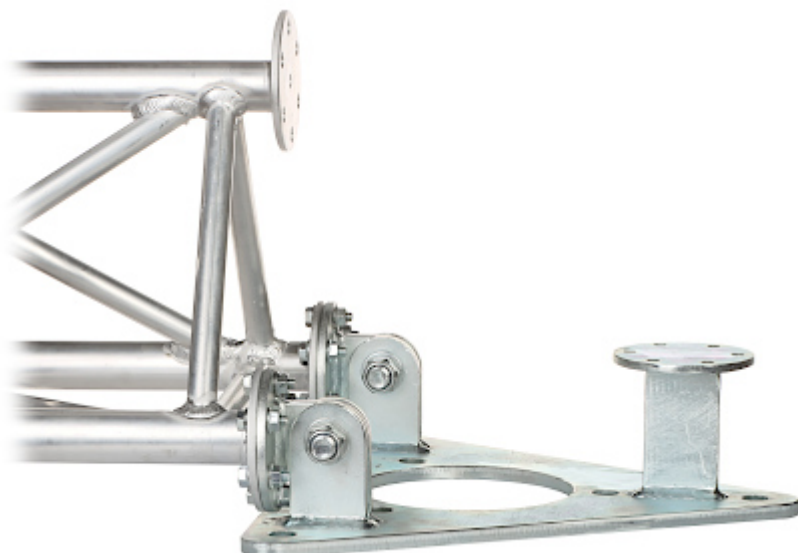


SPECIFICATION

Material:	Steel - Hot-dip galvanized
Main features:	<ul style="list-style-type: none">• The design allows the mast to tilt up to 90° from the vertical,• Plate thickness : 10 mm,• Reinforced hinges
Weight:	7.27 kg
Dimensions:	395 x 350 x 107 mm
Guarantee:	3 years
Manufacturer / Brand:	DELTA

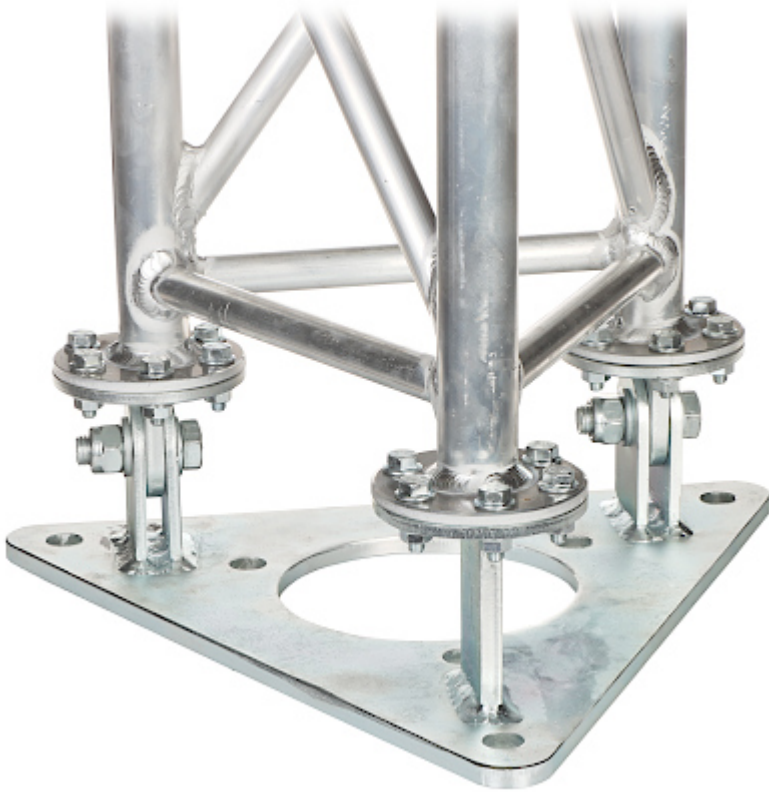
PRESENTATION

Hinges allow to tilt the mast to the horizontal position:



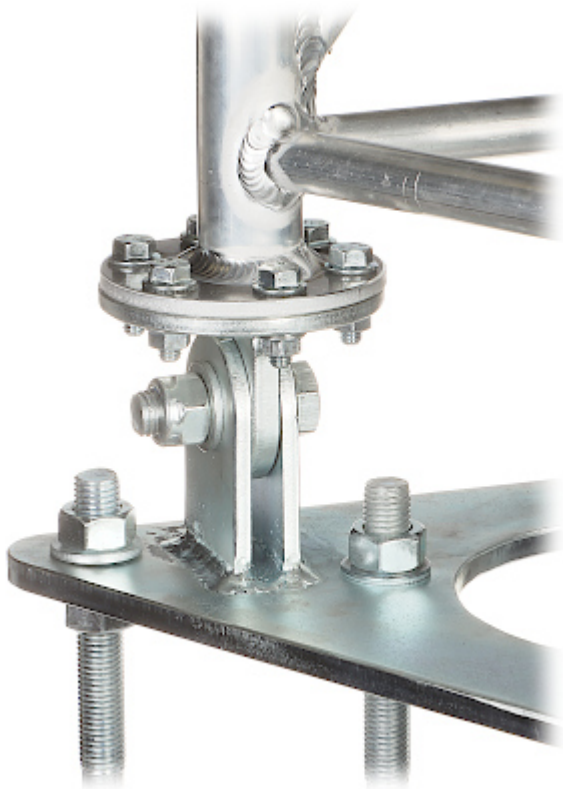
The MK-1.5/POD-HD base with the MK-1.5 truss mast:

DELTA-OPTI Monika Matysiak; <https://www.delta.poznan.pl>
POL; 60-713 Poznań; Graniczna 10
e-mail: delta-opti@delta.poznan.pl; tel: +(48) 61 864 69 60



The MK-1.5/POD-HD base mounted to the MK-1.5/KOT-HD anchor and the MK-1.5 truss mast:





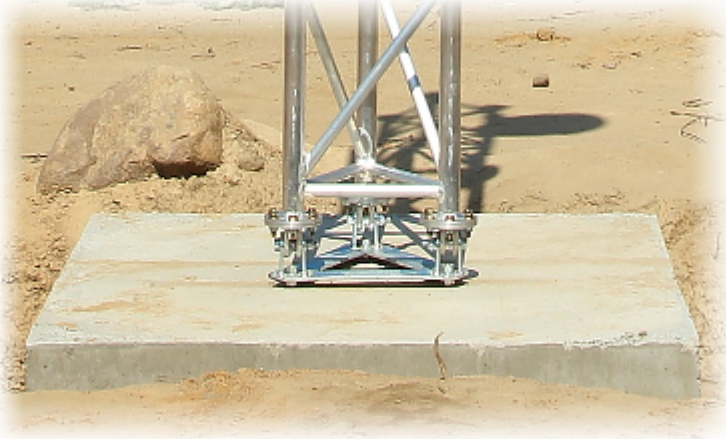
Prepared form-work for the foundation of the mast:



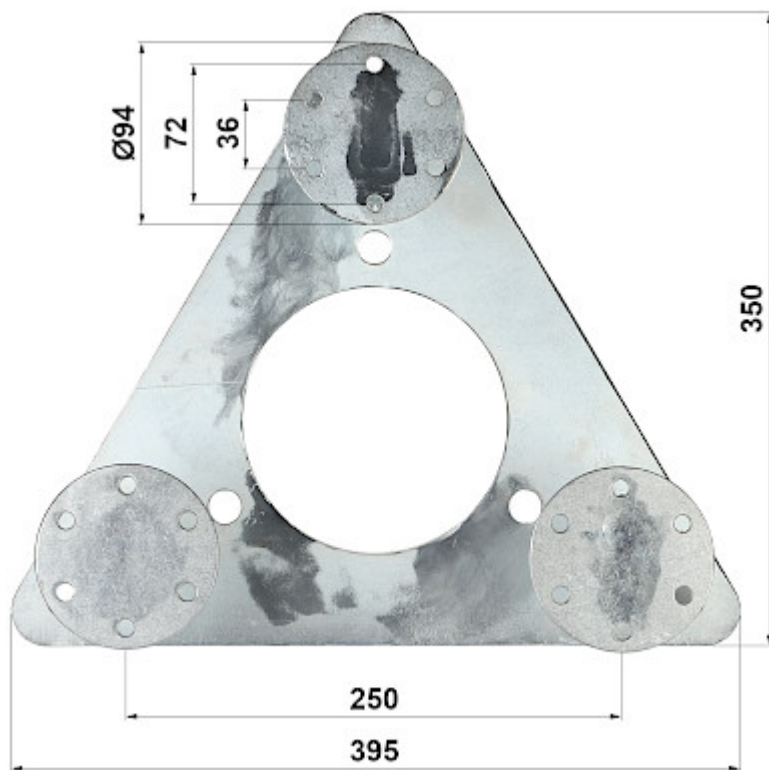
Poured foundation of the mast with embedded anchor and established base:



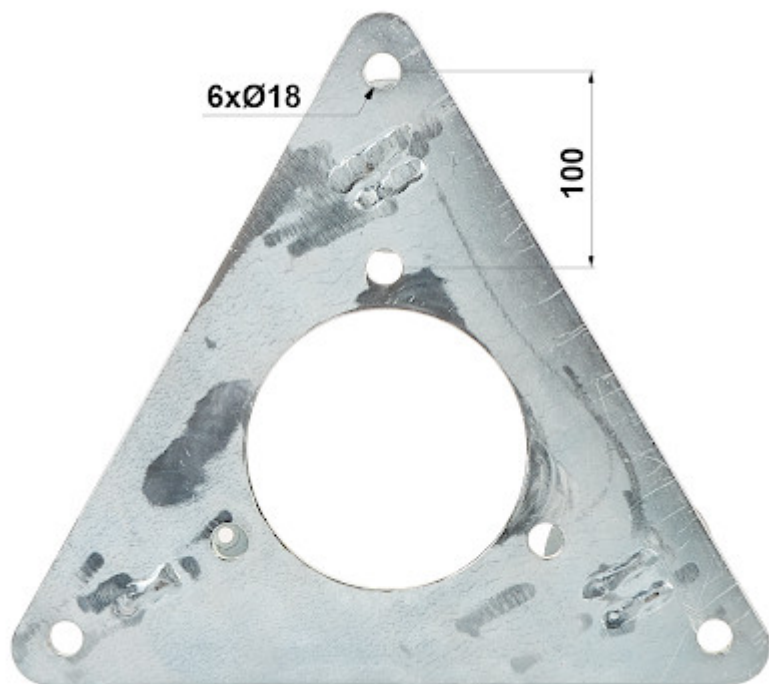
Ready foundation with the set mast:



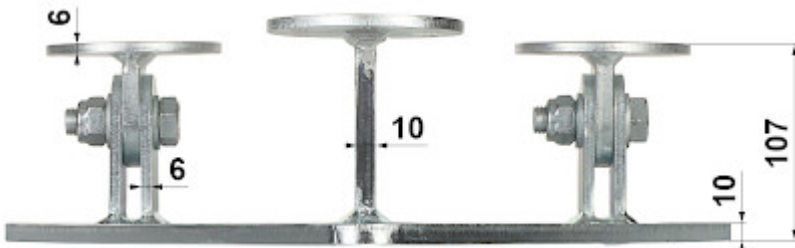
Top view:



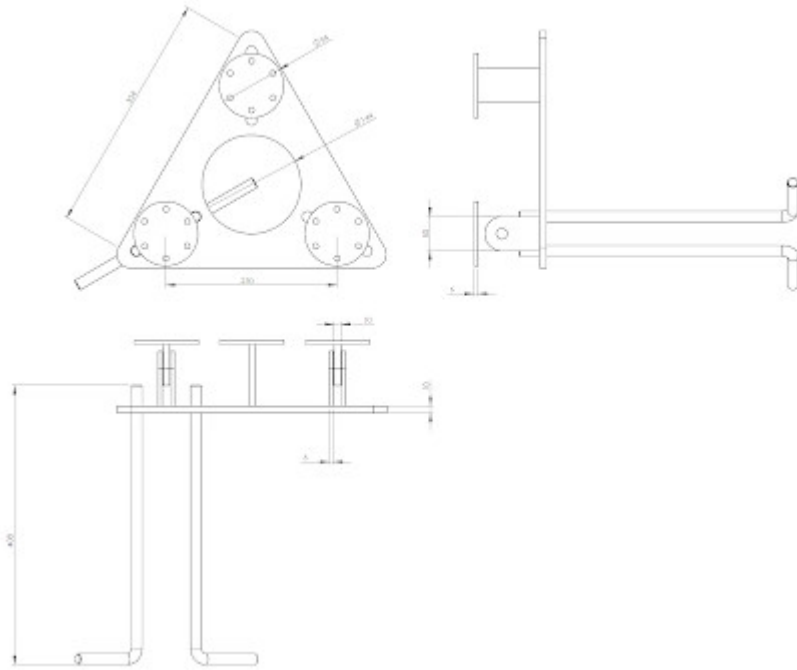
Bottom view:



Side view:



Dimensions:



PACKAGE

Dimensions (L x W x H): 0x0x0 mm	Gross Weight: 0 kg
----------------------------------	--------------------

