

Code: POE-16/R19

## PATCH PANEL POE-16/R19

Net: 59.39 EUR Gross: 73.05 EUR

The POE-16/R19 panel is a passive device used to supply power via UTP cables to terminal devices equipped with PoE ports. To data transmission in twisted-pair cable are normally use wires 1, 2, 3 and 6. The PoE panel injects supply voltage to the 4, 5(+); 7, 8(-) pins/wires.

On the panel front there two rows of RJ-45 ports. Panel can supply power to 16 PoE devices.

The POE-16/R19 is a passive device.

The device features overload protection (polyswitch on each output: the power is switched off by the long flow of high current) and short-circuit protection. The front panel green light LED indicates normal operation of the device.



### SPECIFICATION

Output voltage:	max. 60 V
Number of inputs:	16 pcs (RJ-45)
Number of outputs:	16 pcs (RJ-45)
Maximal output current:	550 mA / Output
Main features:	<ul style="list-style-type: none"><li>Pin numbers for RJ-45 connector</li><li>• DATA 1, 2 and 3, 6</li><li>• Power supply 4, 5 (+) and 7, 8 (-)</li><li>• Supported data rates 10 / 100 Mbps</li><li>• Maximal load for single port 550 mA</li></ul>
Protections:	<ul style="list-style-type: none"><li>• Short-circuit</li><li>• Overload</li></ul>
LED indicators:	Power supply
Housing:	1 U Rack 19"
Operation temp. / Relative humidity:	-10 °C ... 55 °C / < 95 %
Weight:	0.34 kg
Dimensions:	483 x 44 x 36 mm
Manufacturer / Brand:	DELTA
Guarantee:	<b>3 years</b>

### PRESENTATION

Front panel:



Rear view:



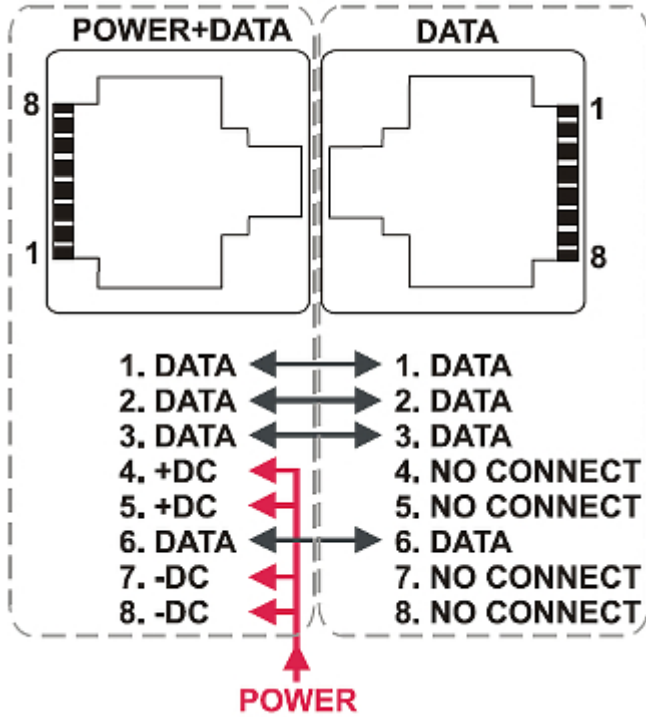
Example of application:



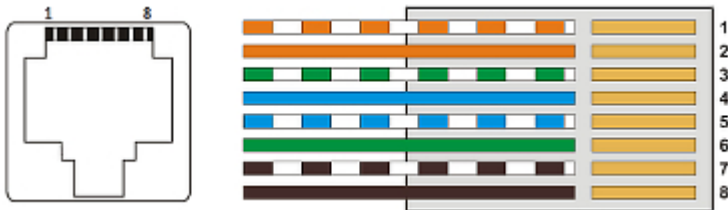
DELTA-OPTI Monika Matysiak; <https://www.delta.poznan.pl>  
POL; 60-713 Poznań; Graniczna 10  
e-mail: delta-opti@delta.poznan.pl; tel: +(48) 61 864 69 60



Schematic diagram:



Wiring sequence inside the RJ-45 plug. Plug wiring sequence is consistent with the T568B standard:



- 1) white/orange
- 2) orange
- 3) white/green
- 4) Blue
- 5) white/blue
- 6) green
- 7) white/brown
- 8) brown

**PACKAGE**

Dimensions (L x W x H): 0x0x0 mm	Gross Weight: 0 kg
----------------------------------	--------------------