

Code: POE-8/R

PATCH PANEL **POE-8/R**

Net: **24.61 EUR** Gross: **30.27 EUR**

The POE-8/R panel is a passive device used to supply power via UTP cables to terminal devices equipped with PoE ports. To data transmission in twisted-pair cable are normally use wires 1, 2, 3 and 6. The PoE panel injects supply voltage to the 4, 5(+); 7, 8(-) pins/wires.

On the panel front there two rows of RJ-45 ports. Panel can supply power to 8 PoE devices.

The POE-8/R is a passive device.

The device features overload protection (polyswitch on each output: the power is switched off by the long flow of high current) and short-circuit protection. The front panel green light LED indicates normal operation of the device.



SPECIFICATION

Output voltage:	max. 60 V
Number of inputs:	8 pcs (RJ-45)
Number of outputs:	8 pcs (RJ-45)
Maximal output current:	550 mA / Output
Main features:	<p>Pin numbers for RJ-45 connector</p> <ul style="list-style-type: none">• DATA 1, 2 and 3, 6• Power supply 4, 5 (+) and 7, 8 (-)• Supported data rates 10 / 100 Mbps• Maximal load for single port 550 mA• Mounting with self-adhesive bases The self-adhesive distance elements allow to easy PCB assembly.
Protections:	<ul style="list-style-type: none">• Short-circuit• Overload
LED indicators:	Power supply
Housing:	—
Operation temp. / Relative humidity:	-10 °C ... 55 °C / < 95 %
Weight:	0.078 kg
Dimensions:	220 x 44 x 25 mm
Manufacturer / Brand:	DELTA
Guarantee:	3 years

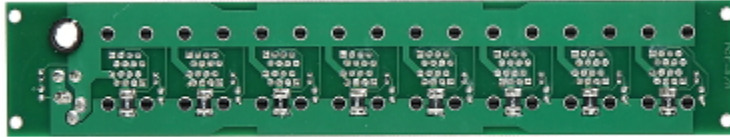
PRESENTATION

Front panel:



DELTA-OPTI Monika Matysiak; <https://www.delta.poznan.pl>
POL; 60-713 Poznań; Graniczna 10
e-mail: delta-opti@delta.poznan.pl; tel: +(48) 61 864 69 60

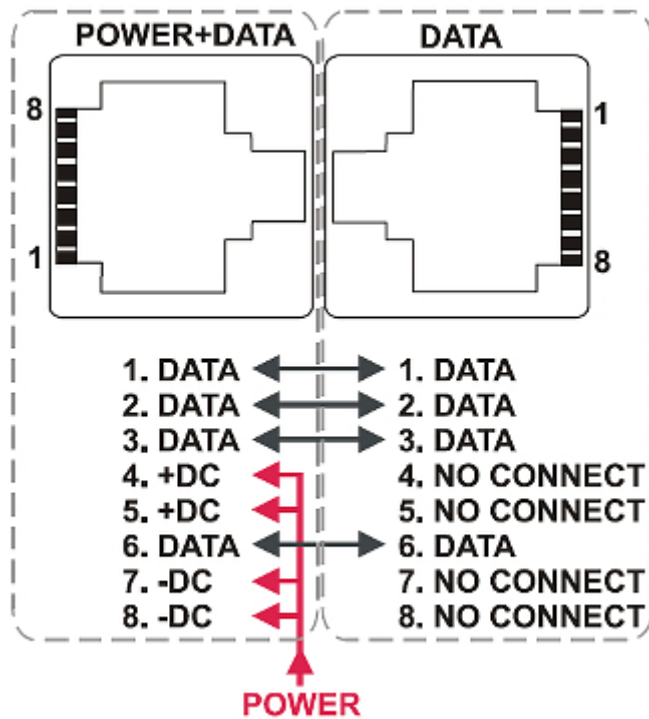
Rear view:



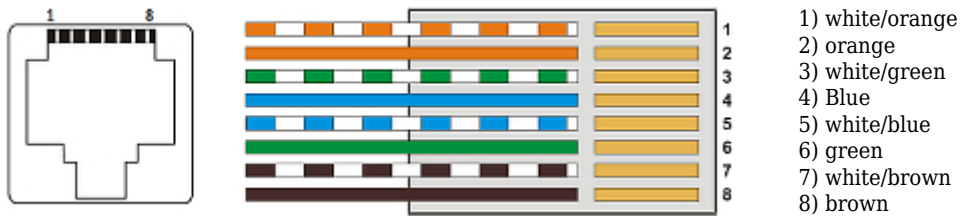
Mounting with self-adhesive bases:



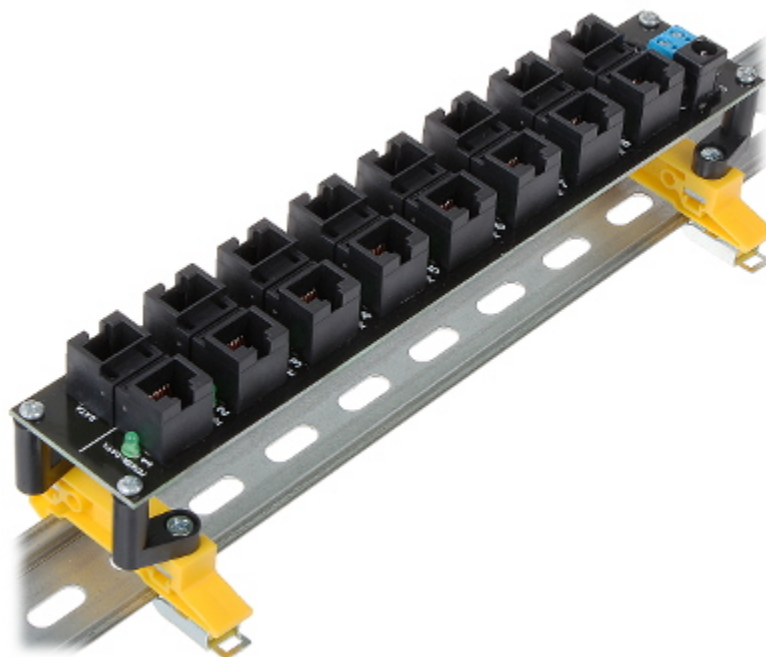
Schematic diagram:



Wiring sequence inside the RJ-45 plug. Plug wiring sequence is consistent with the T568B standard:



The device can be conveniently mounted on the (*DIN TS-35*) rail:



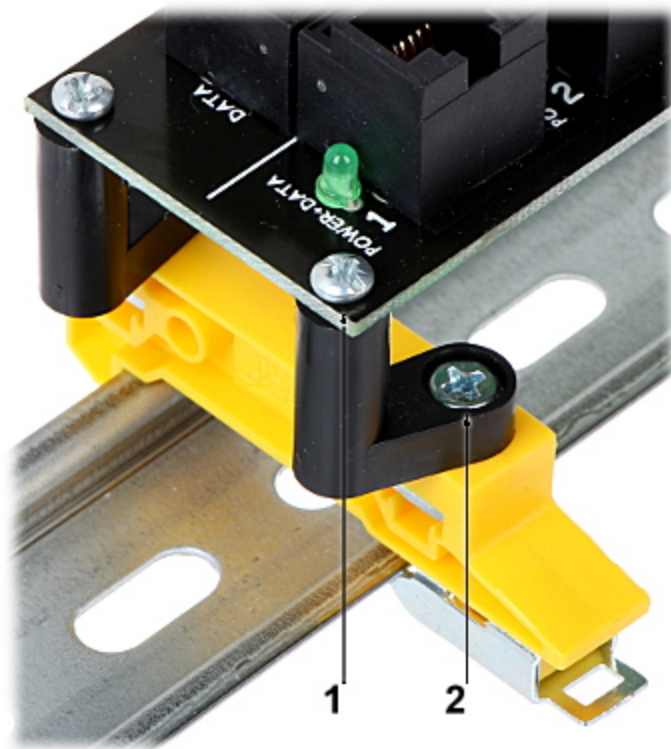
For this purpose mount the WM-35 (available separately):



Then install the LPCB-1 (included):



The whole must be made as shown below:



- 1) M3 x 10 screw
- 2) M4 x 12 screw

In the kit:

