

Code: DS-2AE5230T-A

HD-TVI, PAL SPEED DOME CAMERA OUTDOOR **DS-2AE5230T-A** - 1080p 4 ... 120 mm HIKVISION

Net: **661.59 USD** Gross: **813.76 USD**

Megapixel camera with 1/2.8" CMOS sensor and HD-TVI (High Definition Transport Video Interface) / PAL.

The HD-TVI interface allows to transmission of analog video signal via coaxial cable at resolutions up to 1080p. It enables the transmission of HD resolution images for even 500 m distance with keeping the low costs of the installation. During transmission there are no delays and is maintained the original, high quality image.

In the case of video transmission using a twisted pair cable and matching transformers (balun), be aware of the possibility of signal reflections and interfering signals.

Camera is according to IP66 Index of Protection norm.



SPECIFICATION

Standard:	HD-TVI, PAL
Sensor:	1/2.8 " Progressive Scan Exmor CMOS
Matrix size:	2.1 Mpx
Resolution:	1920 x 1080 - 1080p 960 x 576 - 960H
Range of IR illumination:	—
Lens:	4 ... 120 mm
View angle:	• 58 ° ... 1.7 ° (manufacturer data) • 58 ° ... 3.2 ° (our tests result)
Optical zoom:	x 30
Digital zoom:	x 16
Rotation speed depending on ZOOM level:	✓
Horizontal rotation range:	360 ° continuous
Vertical rotation range:	-5 ° ... 90 °
Rotation speed (manual control):	0.1 %/s ... 250 %/s (horizontal) , 0.1 %/s ... 150 %/s (vertical)
Preset rotation speed:	300 %/s (horizontal) 200 %/s (vertical)

DELTA-OPTI Monika Matysiak; <https://www.delta.poznan.pl>
POL; 60-713 Poznań; Graniczna 10
e-mail: delta-opti@delta.poznan.pl; tel: +(48) 61 864 69 60

PTZ control:	Via interface RS-485 The ability to control via coaxial cable from recorder HIKVISION
Protocols:	Pelco-D, Pelco-P (auto detection)
S/N ratio:	≥ 50 dB
Video output:	<ul style="list-style-type: none"> • 1 Vpp / 75 Ω - HD-TVI • 1 Vpp / 75 Ω - CVBS, PAL
Audio:	—
Number of presets:	256
Route settings:	8
Horizontal scan:	✓
Park action:	Call the set function (tour, scan, etc.) after specified dwell time
Alarm inputs / outputs:	2 / 1
Main features:	<ul style="list-style-type: none"> • Intelligent 3D Positioning System • 3D-DNR - Digital Noise Reduction • WDR - Wide Dynamic Range • EIS - Electronic Image Stabilization • F-DNR (Defog) - Reduction of image noise caused by precipitation • BLC/HLC - Back Light / High Light Compensation • ICR - Movable InfraRed filter • Auto White Balance • Configurable Privacy Zones
OSD menu:	OSD menu available via Hikvision HD-TVI recorder
Vandal-proof:	IK10
"Index of Protection":	IP66
Power supply:	24 V AC
Power consumption:	≤ 20 W
Housing:	Speed Dome, Metal
Color:	White
Operation temp:	-30 °C ... 65 °C
Weight:	2.91 kg
Dimensions:	Ø 220 x 305 mm
Supported languages:	English, Polish
Manufacturer / Brand:	HIKVISION
SAP Code:	301204297
Guarantee:	3 years

PRESENTATION

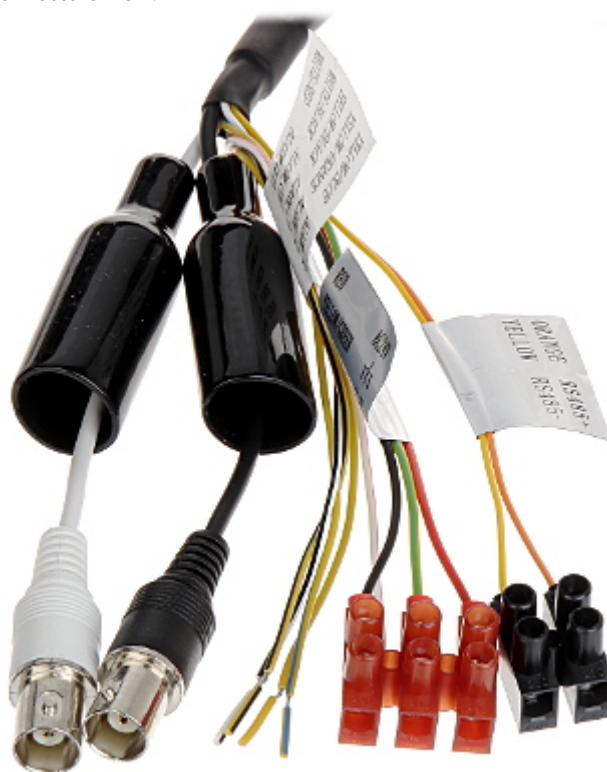


DELTA-OPTI Monika Matysiak; <https://www.delta.poznan.pl>
POL; 60-713 Poznań; Graniczna 10
e-mail: delta-opti@delta.poznan.pl; tel: +(48) 61 864 69 60

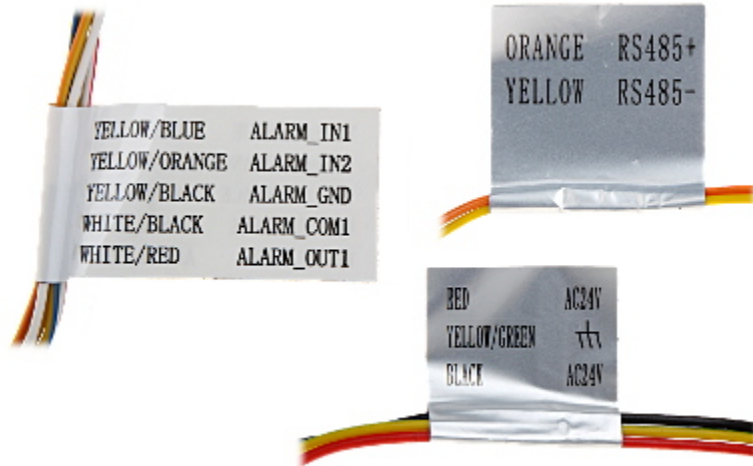
Bottom view:



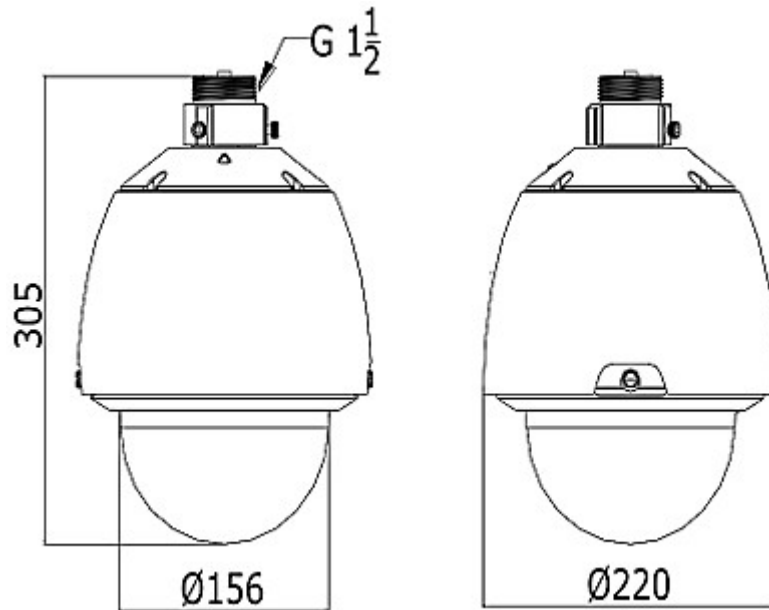
Connectors view:



Connectors description:



Camera dimensions:



In the kit:



OUR TESTS

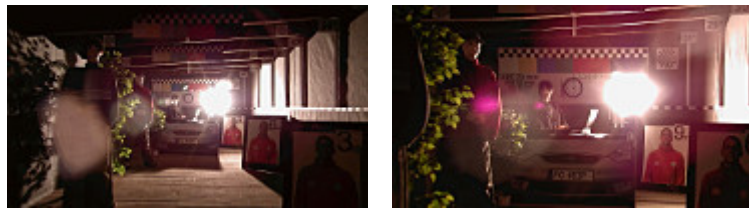
Camera image at artificial illumination (about 30Lux):



Camera image at night conditions with external IR illuminator on:



Camera image at direct strong light opposite to camera:



Camera image at night conditions, at different illumination values show below:

