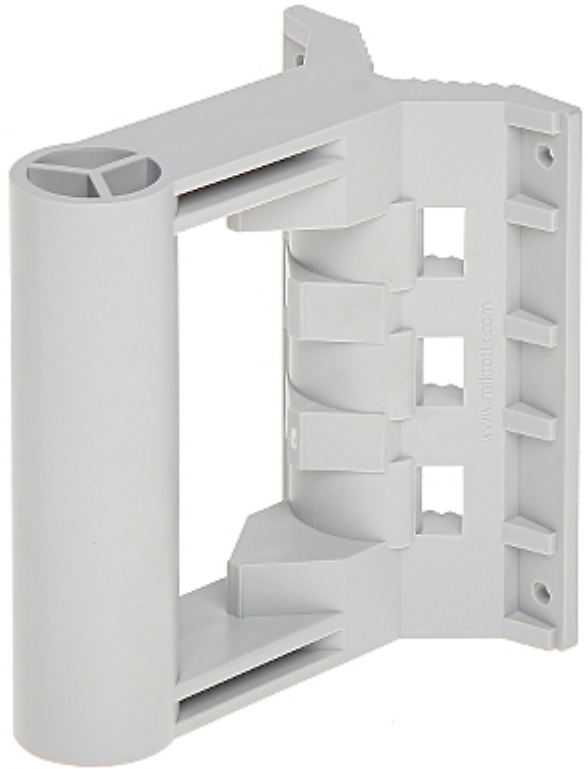


Code: BR-QME

BRACKET **BR-QME** MIKROTIK

Net: **8.27 EUR** Gross: **10.17 EUR**

The BR-QME bracket allows to mount on a pole or wall large directional or sector antennas.



SPECIFICATION

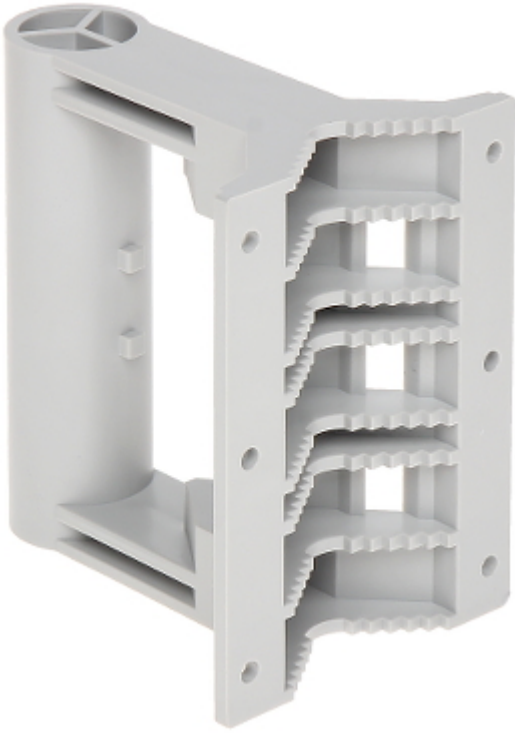
Material:	Plastic - anvilNITE
Bearing capacity:	8 kg
Distance from mounting surface:	100 mm
Length of the mounting element:	120 mm
The diameter of the fixing element:	Ø 40 mm
Pole diameters range:	Ø 35 ... Ø 70 mm
Color:	Gray
Main features:	High resistance to wind and weather
Weight:	0.316 kg
Dimensions:	102 x 135 x 150 mm
Guarantee:	2 years

PRESENTATION

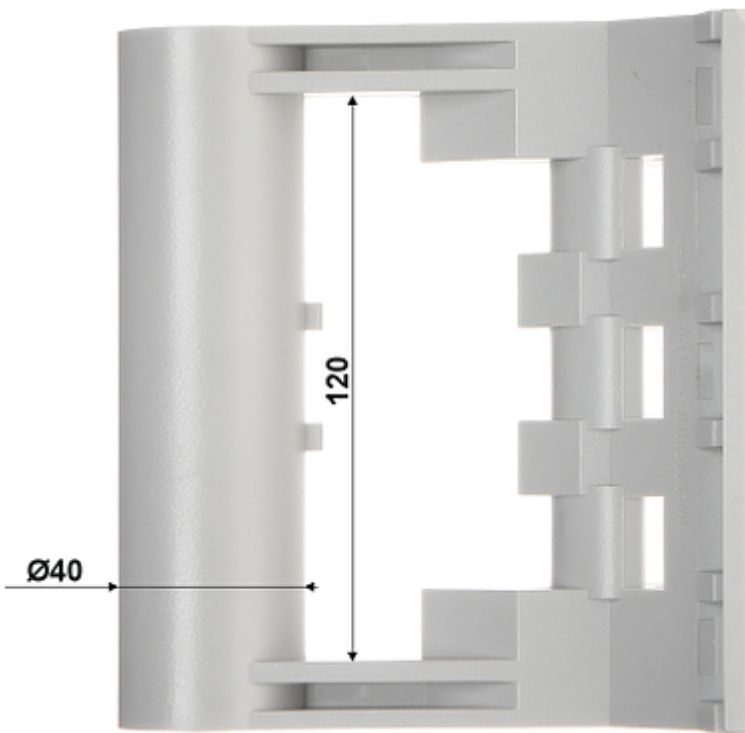
Mounting side view:



DELTA-OPTI Monika Matysiak; <https://www.delta.poznan.pl>
POL; 60-713 Poznań; Graniczna 10
e-mail: delta-opti@delta.poznan.pl; tel: +(48) 61 864 69 60



Side view:



Example of application:





In the kit:



PACKAGE

Dimensions (L x W x H): 0x0x0 mm	Gross Weight: 0 kg
----------------------------------	--------------------