

Code: HAC-HDW1230EM-A-0280B

AHD, HD-CVI, HD-TVI, PAL VANDALPROOF CAMERA **HAC-HDW1230EM-A-0280B** - 1080p 2.8 mm DAHUA

Net: **70.22 EUR** Gross: **86.37 EUR**



Megapixel camera with 1/2.8" CMOS sensor and AHD / HD-CVI / HD-TVI / PAL.

Attention! The camera default setting is HD-CVI standard. To change the camera standard you need use the PFM820 controller, available separately.

The AHD / HD-CVI / HD-TVI interface allows to transmission of analog video signal via coaxial cable in max. 8 Mpx (4K UHD) resolution. During transmission there are no delays and is maintained the original, high quality image.

In the case of video transmission using a twisted pair cable and matching transformers (balun), be aware of the possibility of signal reflections and interfering signals.

The "Starlight" series cameras provide a clear color image even at very poor lighting.

SPECIFICATION

Standard:	AHD, HD-CVI, HD-TVI, PAL
Sensor:	1/2.8 " CMOS
Matrix size:	2.1 Mpx
Resolution:	1920 x 1080 - 1080p , 1280 x 720 - 720p , 960 x 576 - 960H, PAL
Range of IR illumination:	50 m
IR illuminator power adjustment:	Automatic
Lens:	2.8 mm
View angle:	<ul style="list-style-type: none">• 106 ° (manufacturer data)• 104 ° (our tests result)
IR illuminator support:	ICR - Movable InfraRed filter
S/N ratio:	> 65 dB
Video output:	AHD / HD-CVI / HD-TVI / PAL, 1 Vpp / 75 Ω
Audio:	Microphone built-in - It can operate in CVI mode only

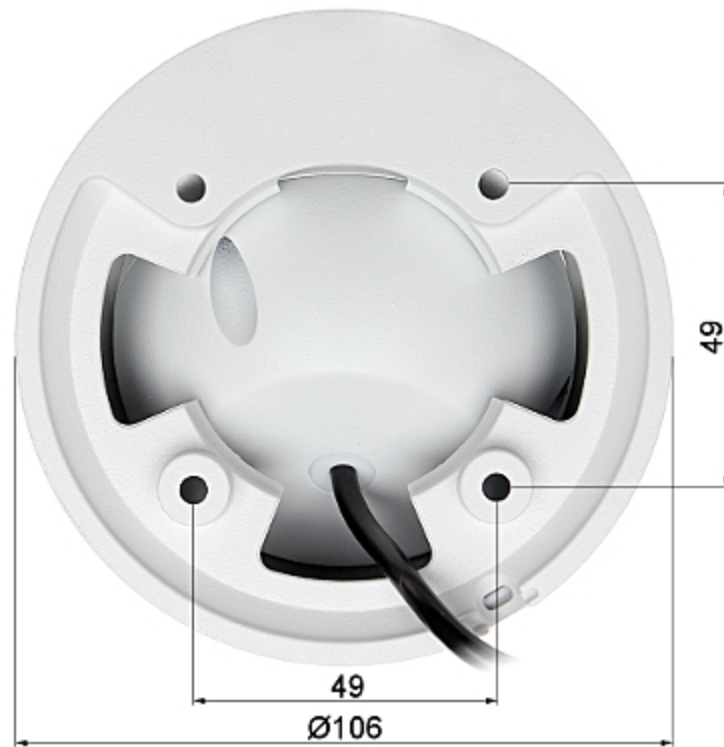
Main features:	<ul style="list-style-type: none"> • D-WDR - Wide Dynamic Range • 2D-DNR - Digital Noise Reduction • BLC/HLC - Back Light / High Light Compensation • Anti-Flicker - The technology eliminates the tiring eyes flickering image effect • ICR - Movable InfraRed filter • Sharpness - sharper image outlines • AGC - Automatic Gain Control • Privacy zones • Mirror - Mirror image • Auto White Balance
OSD menu:	OSD menu available via DAHUA recorder
"Index of Protection":	IP67
Power supply:	12 V DC / 390 mA
Power consumption:	≤ 4.7 W
Housing:	Dome, Aluminum
Vandal-proof:	✓
Color:	White
Operation temp:	-40 °C ... 60 °C
Weight:	0.45 kg
Dimensions:	Ø 106 x 94 mm
Manufacturer / Brand:	DAHUA
Guarantee:	3 years

PRESENTATION

Camera is out from clamping ring:



Mounting side view:



In the kit:



OUR TESTS

AHD:

Camera image at artificial illumination (about 30Lux):



Camera image at night conditions with internal built-in IR illuminator on:



Camera image at direct strong light opposite to camera:



HD-CVI:

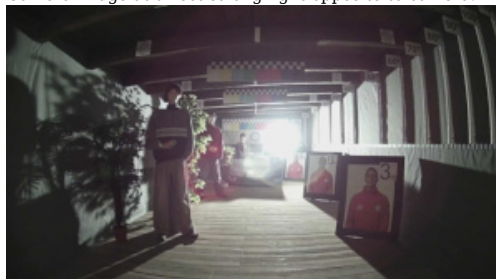
Camera image at artificial illumination (about 30Lux):



Camera image at night conditions with internal built-in IR illuminator on:



Camera image at direct strong light opposite to camera:



HD-TVI:

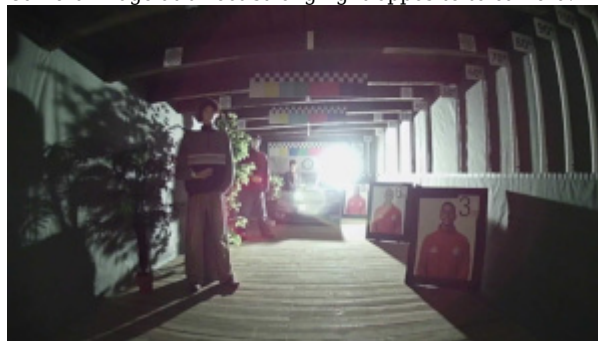
Camera image at artificial illumination (about 30Lux):



Camera image at night conditions with internal built-in IR illuminator on:



Camera image at direct strong light opposite to camera:



OUR OPINIONS



- The "Starlight" series cameras provide a clear color image even at very poor lighting.