

Code: HAC-T2A21-0360B

AHD, HD-CVI, HD-TVI, PAL CAMERA **HAC-T2A21-0360B** - 1080p 3.6 mm DAHUA

Net: **34.02 EUR** Gross: **41.84 EUR**



Megapixel camera with 1/2.7" CMOS sensor and AHD / HD-CVI / HD-TVI / PAL.

The AHD / HD-CVI / HD-TVI interface allows to transmission of analog video signal via coaxial cable in max. 8 Mpx (4K UHD) resolution. During transmission there are no delays and is maintained the original, high quality image.

Attention! The camera is set by default in the HD-CVI standard. Standard changes can be made using the recorder - by entering the OSD camera menu or using the PFM820 controller.

In the case of video transmission using a twisted pair cable and matching transformers (balun), be aware of the possibility of signal reflections and interfering signals. Camera is according to IP67 Index of Protection norm.

SPECIFICATION

| | |
|----------------------------------|--|
| Standard: | AHD, HD-CVI, HD-TVI, PAL |
| Sensor: | 1/2.7 " Progressive Scan CMOS |
| Matrix size: | 2.1 Mpx |
| Resolution: | 1920 x 1080 - 1080p , 1280 x 720 - 720p , 960 x 576 - 960H, PAL |
| Range of IR illumination: | 20 m |
| IR illuminator power adjustment: | Automatic |
| Lens: | 3.6 mm |
| View angle: | • 93 ° (manufacturer data) • 90 ° (our tests result) |
| S/N ratio: | > 65 dB |
| Video output: | AHD / HD-CVI / HD-TVI / PAL, 1 Vpp / 75 Ω |
| Audio: | — |
| Main features: | • D-WDR - Wide Dynamic Range • 2D-DNR - Digital Noise Reduction • BLC/HLC - Back Light / High Light Compensation • AGC - Automatic Gain Control • ICR - Movable InfraRed filter • Mirror - Mirror image • Auto White Balance • Sharpness - sharper image outlines |

DELTA-OPTI Monika Matysiak; <https://www.delta.poznan.pl>
POL; 60-713 Poznań; Graniczna 10
e-mail: delta-opti@delta.poznan.pl; tel: +(48) 61 864 69 60

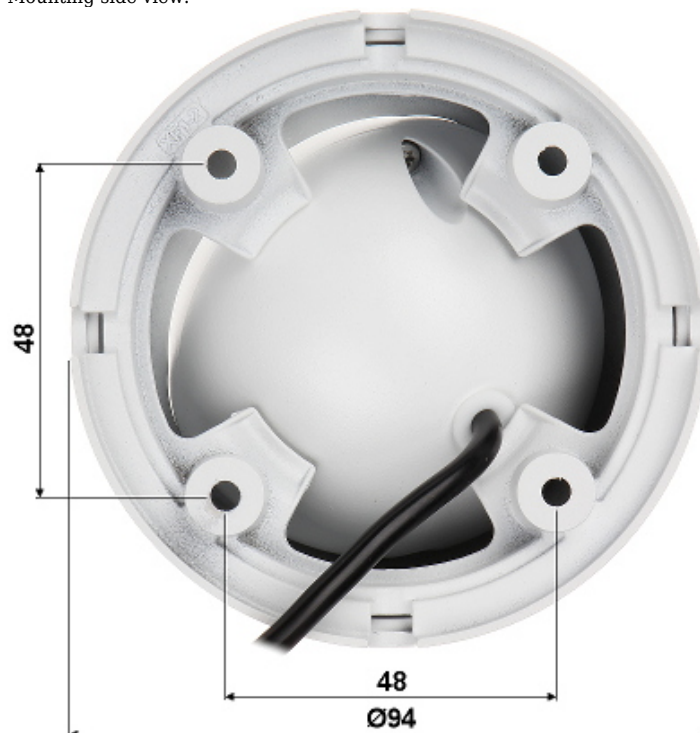
| | |
|------------------------|--|
| OSD menu: | OSD menu available via DAHUA recorder |
| Power supply: | 12 V DC / 220 mA |
| Power consumption: | ≤ 2.7 W |
| Housing: | Dome, Aluminum |
| Color: | White |
| Vandal-proof: | — |
| "Index of Protection": | IP67 |
| Operation temp: | -40 °C ... 60 °C |
| Weight: | 0.27 kg |
| Dimensions: | Ø 94 x 78 mm |
| Supported languages: | Polish, English, French, Spanish, German, Portuguese, Russian, Italian |
| Manufacturer / Brand: | DAHUA |
| Guarantee: | 3 years |

PRESENTATION

Camera is out from clamping ring:



Mounting side view:



In the kit:



OUR TESTS

AHD:

Camera image at artificial illumination (about 30Lux):



Camera image at night conditions with internal built-in IR illuminator on:



Camera image at direct strong light opposite to camera:



HD-CVI:



Camera image at artificial illumination (about 30Lux):



Camera image at night conditions with internal built-in IR illuminator on:



Camera image at direct strong light opposite to camera:



HD-TVI:

Camera image at artificial illumination (about 30Lux):



Camera image at night conditions with internal built-in IR illuminator on:



Camera image at direct strong light opposite to camera:

