

Code: HAC-T2A21-0280B

AHD, HD-CVI, HD-TVI, PAL CAMERA **HAC-T2A21-0280B** - 1080p 2.8 mm DAHUA

Net: **38.76 EUR** Gross: **47.67 EUR**



Megapixel camera with 1/2.7" CMOS sensor and AHD / HD-CVI / HD-TVI / PAL.

The AHD / HD-CVI / HD-TVI interface allows to transmission of analog video signal via coaxial cable in max. 8 Mpx (4K UHD) resolution. During transmission there are no delays and is maintained the original, high quality image.

Attention! The camera is set by default in the HD-CVI standard. Standard changes can be made using the recorder - by entering the OSD camera menu or using the PFM820 controller.

In the case of video transmission using a twisted pair cable and matching transformers (balun), be aware of the possibility of signal reflections and interfering signals. Camera is according to IP67 Index of Protection norm.

The DAHUA Cooper series product has been designed to maximum cost reduction while maintaining high quality and ease of use.

SPECIFICATION

Standard:	HD-CVI, HD-TVI, AHD, PAL
Sensor:	1/2.7 " Progressive Scan CMOS
Matrix size:	2.1 Mpx
Resolution:	1920 x 1080 - 1080p , 1280 x 720 - 720p , 960 x 576 - 960H, PAL
Range of IR illumination:	20 m
IR illuminator power adjustment:	Automatic
Lens:	2.8 mm
View angle:	• 103 ° (manufacturer data) • 100 ° (our tests result)
S/N ratio:	> 65 dB
Video output:	HD-CVI / HD-TVI / AHD / PAL, 1 Vpp / 75 Ω
Audio:	—
Main features:	• D-WDR - Wide Dynamic Range • 2D-DNR - Digital Noise Reduction • BLC/HLC - Back Light / High Light Compensation • AGC - Automatic Gain Control • ICR - Movable InfraRed filter • Mirror - Mirror image • Auto White Balance • Sharpness - sharper image outlines

DELTA-OPTI Monika Matysiak; <https://www.delta.poznan.pl>
POL; 60-713 Poznań; Graniczna 10
e-mail: delta-opti@delta.poznan.pl; tel: +(48) 61 864 69 60

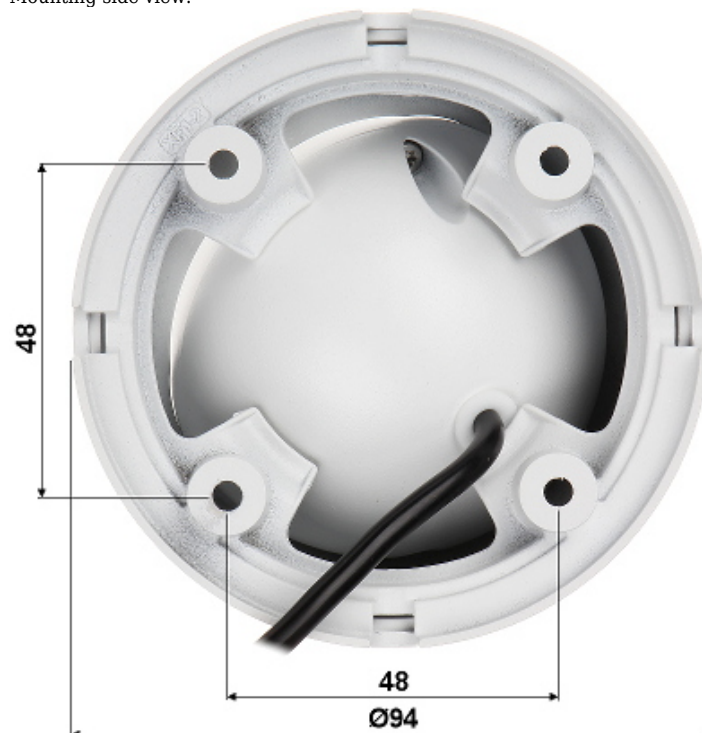
OSD menu:	OSD menu available via DAHUA recorder
Power supply:	12 V DC / 220 mA
Power consumption:	≤ 2.7 W
Housing:	Dome, Aluminum
Color:	White
Vandal-proof:	—
"Index of Protection":	IP67
Operation temp:	-40 °C ... 60 °C
Weight:	0.27 kg
Dimensions:	Ø 94 x 78 mm
Supported languages:	Polish, English, French, Spanish, German, Portuguese, Russian, Italian
Manufacturer / Brand:	DAHUA
Guarantee:	3 years

PRESENTATION

Camera is out from clamping ring:



Mounting side view:



In the kit:



OUR TESTS

AHD:

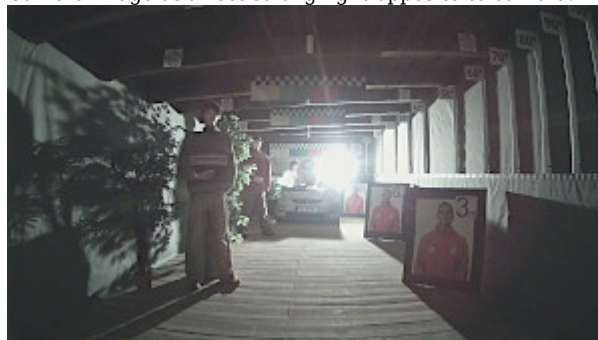
Camera image at artificial illumination (about 30Lux):



Camera image at night conditions with internal built-in IR illuminator on:



Camera image at direct strong light opposite to camera:



HD-CVI:



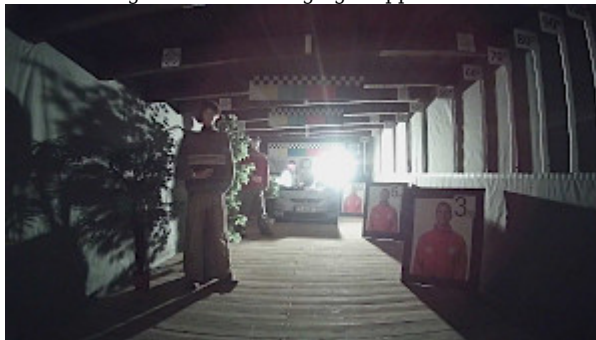
Camera image at artificial illumination (about 30Lux):



Camera image at night conditions with internal built-in IR illuminator on:



Camera image at direct strong light opposite to camera:



HD-TVI:

Camera image at artificial illumination (about 30Lux):



Camera image at night conditions with internal built-in IR illuminator on:



Camera image at direct strong light opposite to camera:

