

Code: HAC-HDW1200EM-A-POC-0280B

AHD, HD-CVI, HD-TVI, PAL VANDALPROOF CAMERA HAC-HDW1200EM-A- POC-0280B - 1080p 2.8 mm DAHUA

Net: 77.45 EUR Gross: 95.26 EUR



Megapixel camera with 1/2.7" CMOS sensor and AHD / HD-CVI / HD-TVI / PAL.

The AHD / HD-CVI / HD-TVI interface allows to transmission of analog video signal via coaxial cable in max. 8 Mpx (4K UHD) resolution. During transmission there are no delays and is maintained the original, high quality image.

In the case of video transmission using a twisted pair cable and matching transformers (balun), be aware of the possibility of signal reflections and interfering signals.

The PoC (Power over Coaxial) technology used in the device allows to power the compatible with this standard cameras via a coaxial cable directly from the recorder, eliminating the need for additional wires or power supplies. Camera is according to IP67 Index of Protection norm.

SPECIFICATION

Standard:	AHD / HD-CVI / HD-TVI / CVBS
Sensor:	1/2.7 " CMOS
Matrix size:	2.1 Mpx
Resolution:	1920 x 1080 - 1080p 1280 x 720 - 720p 960 x 576 - 960H, PAL
Range of IR illumination:	50 m
IR illuminator power adjustment:	Automatic
Lens:	2.8 mm, F2.0
View angle:	<ul style="list-style-type: none">• 103 ° (manufacturer data)• 100 ° (our tests result)
IR illuminator support:	ICR - Movable InfraRed filter
S/N ratio:	> 65 dB
Video output:	AHD / HD-CVI / HD-TVI / CVBS, 1 Vpp / 75 Ω
Audio:	<ul style="list-style-type: none">• Microphone built-in• Audio support via coaxial cable - HD-CVI only

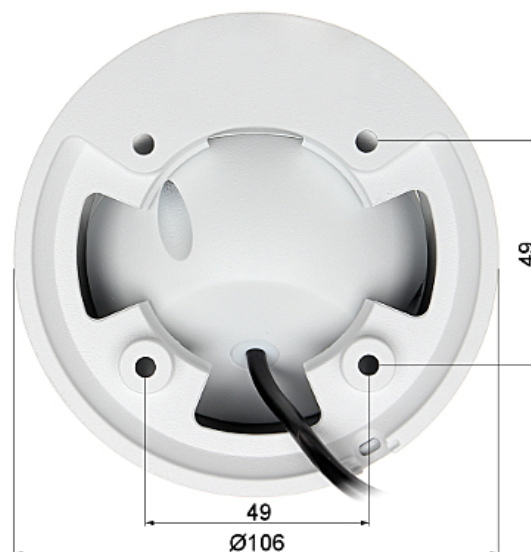
Main features:	<ul style="list-style-type: none"> • D-WDR - Wide Dynamic Range • 2D-DNR - Digital Noise Reduction • BLC - configurable Back Light Compensation • HLC - High Light Compensation (spot) • ICR - Movable InfraRed filter • Mirror - Mirror image • Auto White Balance
OSD menu:	OSD menu available via DAHUA recorder
Power supply:	<ul style="list-style-type: none"> • PoC, • 12 V DC / 350 mA
Power consumption:	≤ 4.2 W
Housing:	Dome, Metal
Color:	White
"Index of Protection":	IP67
Vandal-proof:	✓
Operation temp:	-40 °C ... 60 °C
Weight:	0.43 kg
Dimensions:	Ø 106 x 94 mm
Manufacturer / Brand:	DAHUA
Guarantee:	3 years

PRESENTATION

Camera is out from clamping ring:



Dimensions:



In the kit:



OUR TESTS

AHD:

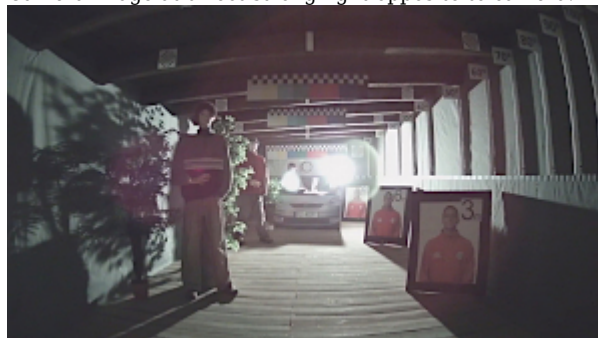
Camera image at artificial illumination (about 30Lux):



Camera image at night conditions with internal built-in IR illuminator on:



Camera image at direct strong light opposite to camera:



HD-CVI:



Camera image at artificial illumination (about 30Lux):



Camera image at night conditions with internal built-in IR illuminator on:



Camera image at direct strong light opposite to camera:



HD-TVI:

Camera image at artificial illumination (about 30Lux):



Camera image at night conditions with internal built-in IR illuminator on:



Camera image at direct strong light opposite to camera:

