

Code: DS-2CE56D8T-VPITF(3.6MM)

AHD, HD-CVI, HD-TVI, CVBS VANDALPROOF CAMERA DS-2CE56D8T-VPITF(3.6MM) - 1080p Hikvision

Net: 74.60 EUR Gross: 91.76 EUR

Megapixel camera with Progressive scan CMOS sensor and AHD / HD-CVI / HD-TVI / CVBS.

The AHD / HD-CVI / HD-TVI interface allows to transmission of analog video signal via coaxial cable in max. 8 Mpx (4K UHD) resolution. During transmission there are no delays and is maintained the original, high quality image. The change of the AHD / HD-CVI / HD-TVI / CVBS standard is done with the corresponding button by keeping it pressed for approx. 5 seconds.

In the case of video transmission using a twisted pair cable and matching transformers (balun), be aware of the possibility of signal reflections and interfering signals.

Housing construction allows to mount the camera to the ceiling and the wall (image is right oriented in both cases).



SPECIFICATION

Standard:	AHD / HD-CVI / HD-TVI / CVBS
Sensor:	Progressive Scan CMOS
Matrix size:	2.1 Mpx
Resolution:	1920 x 1080 - 1080p
Range of IR illumination:	30 m
IR illuminator power adjustment:	Automatic
Lens:	3.6 mm
View angle:	<ul style="list-style-type: none">• 79 ° (manufacturer data)• 75 ° (our tests result)
Video output:	1 Vpp / 75 Ω - AHD / HD-CVI / HD-TVI / CVBS, BNC socket
Main features:	<ul style="list-style-type: none">• WDR - 130 dB - Wide Dynamic Range• 2D-DNR, 3D-DNR - Digital Noise Reduction• EXIR - high-efficiency infrared LEDs technology, which evenly covers the whole plan of both central vantage points of the scene as well as the corners• Privacy zones - max. 4• Motion Detection - max. 4 zones• ICR - Movable InfraRed filter• Mirror - Mirror image• BLC - Back Light Compensation• HLC - High Light Compensation (spot)• Auto White Balance• Sharpness - sharper image outlines
OSD menu:	OSD menu available via Hikvision HD-TVI recorder
Power supply:	12 V DC / 280 mA
Power consumption:	≤ 3.4 W
Housing:	Dome - Metal

DELTA-OPTI Monika Matysiak; <https://www.delta.poznan.pl>
POL; 60-713 Poznań; Graniczna 10
e-mail: delta-opti@delta.poznan.pl; tel: +(48) 61 864 69 60

Color:	White
"Index of Protection":	IP67
Vandal-proof:	IK10
Operation temp:	-40 °C ... 60 °C
Weight:	0.47 kg
Dimensions:	Ø 111 x 82 mm
Supported languages:	English
Country of origin:	China
Manufacturer / Brand:	Hikvision
SAP Code:	300612683
Guarantee:	3 years

PRESENTATION

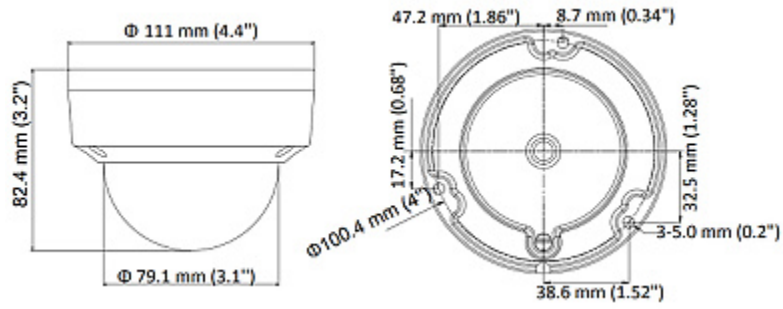
Camera view after remove the Dome cover:



Mounting side view:



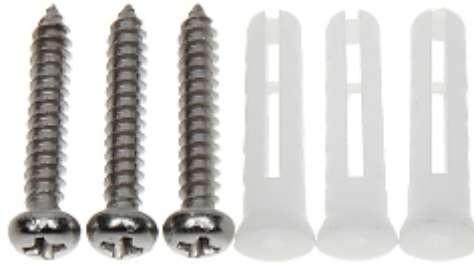
Camera dimensions:



The change of the AHD / HD-CVI / HD-TVI / PAL standard is done with the corresponding button by keeping it pressed for approx. 5 seconds:



In the kit:



OUR TESTS

AHD:

Camera image at artificial illumination (about 30Lux):



Camera image at night conditions with internal built-in IR illuminator on:



Camera image at direct strong light opposite to camera:



HD-CVI:

Camera image at artificial illumination (about 30Lux):



Camera image at night conditions with internal built-in IR illuminator on:



Camera image at direct strong light opposite to camera:



HD-TVI:

Camera image at artificial illumination (about 30Lux):



Camera image at night conditions with internal built-in IR illuminator on:



Camera image at direct strong light opposite to camera:

