

Code: BCS-DMQE1200IR3-G(II)

AHD, HD-CVI, HD-TVI, PAL CAMERA **BCS-DMQE1200IR3-G(II)** - 1080p 2.8 mm

Net: **42.43 EUR** Gross: **42.43 EUR**



Megapixel camera with 1/2.9" CMOS sensor and AHD / HD-CVI / HD-TVI / CVBS.

The AHD / HD-CVI / HD-TVI interface allows to transmission of analog video signal via coaxial cable in max. 8 Mpx (4K UHD) resolution. During transmission there are no delays and is maintained the original, high quality image.

In the case of video transmission using a twisted pair cable and matching transformers (balun), be aware of the possibility of signal reflections and interfering signals.

SPECIFICATION

Standard:	AHD / HD-CVI / HD-TVI / CVBS
Sensor:	1/2.9 " Sony CMOS IMX323
Matrix size:	2.1 Mpx
Resolution:	1920 x 1080 - 1080p
Range of IR illumination:	30 m
IR illuminator power adjustment:	Automatic
Lens:	2.8 mm, F1.2
View angle:	<ul style="list-style-type: none">• 91 ° (manufacturer data)• 102 ° (our tests result)
Video output:	AHD / HD-CVI / HD-TVI / CVBS, 1 Vpp / 75 Ω
OSD menu:	—
Main features:	<ul style="list-style-type: none">• D-WDR - Wide Dynamic Range• 2D-DNR, 3D-DNR - Digital Noise Reduction• BLC - Back Light Compensation• HLC - High Light Compensation (spot)• ICR - Movable InfraRed filter• AGC - Automatic Gain Control• Auto White Balance
Power supply:	12 V DC / 660 mA
Power consumption:	< 8 W



DELTA-OPTI Monika Matysiak; <https://www.delta.poznan.pl>
POL; 60-713 Poznań; Graniczna 10
e-mail: delta-opti@delta.poznan.pl; tel: +(48) 61 864 69 60

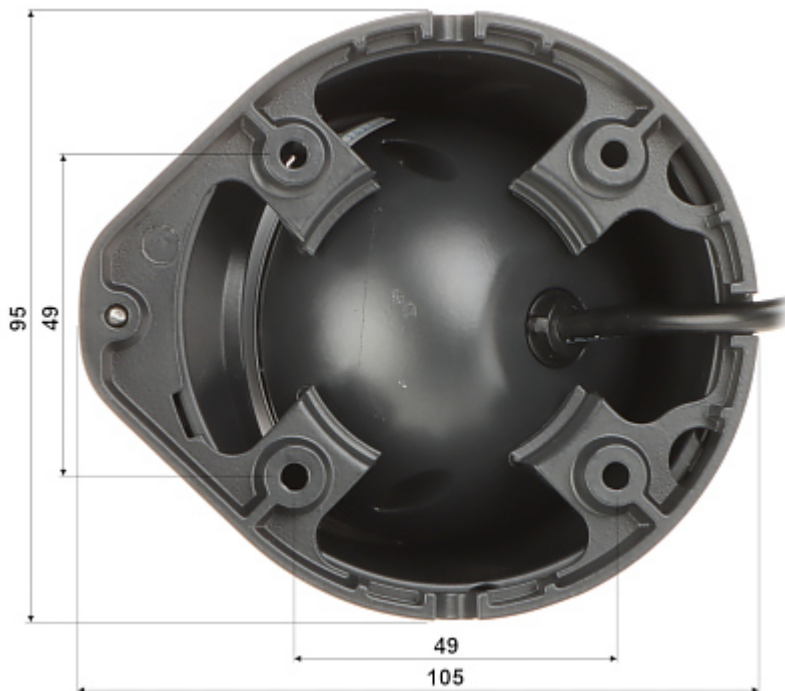
Housing:	Dome, Metal
Color:	Dark graphite
"Index of Protection":	IP66
Vandal-proof:	—
Operation temp:	-30 °C ... 60 °C
Weight:	0.29 kg
Dimensions:	94 x 105 x 82 mm
Manufacturer / Brand:	BCS
Guarantee:	3 years

PRESENTATION

Camera is out from clamping ring:



Dimensions:



Configuration switches:



In the kit:



OUR TESTS

AHD:

Camera image at artificial illumination (about 30Lux):



Camera image at night conditions with internal built-in IR illuminator on:



DELTA-OPTI Monika Matysiak; <https://www.delta.poznan.pl>
POL; 60-713 Poznań; Graniczna 10
e-mail: delta-opti@delta.poznan.pl; tel: +(48) 61 864 69 60

Camera image at direct strong light opposite to camera:



HD-CVI:

Camera image at artificial illumination (about 30Lux):



Camera image at night conditions with internal built-in IR illuminator on:



Camera image at direct strong light opposite to camera:



HD-TVI:

Camera image at artificial illumination (about 30Lux):



Camera image at night conditions with internal built-in IR illuminator on:



Camera image at direct strong light opposite to camera:



PACKAGE

Dimensions (L x W x H): 0x0x0 mm	Gross Weight: 0 kg
----------------------------------	--------------------