

Code: HAC-HDW1231TMQ-A-0280B

AHD, HD-CVI, HD-TVI, PAL CAMERA **HAC-HDW1231TMQ-A-0280B** - 1080p 2.8 mm DAHUA

Net: **370.00 PLN** Gross: **455.10 PLN**



Megapixel camera with 1/2.8" CMOS sensor and AHD / HD-CVI / HD-TVI / PAL.

The AHD / HD-CVI / HD-TVI interface allows to transmission of analog video signal via coaxial cable in max. 8 Mpx (4K UHD) resolution. During transmission there are no delays and is maintained the original, high quality image.

In the case of video transmission using a twisted pair cable and matching transformers (balun), be aware of the possibility of signal reflections and interfering signals. The range of IR illumination according to the manufacturer data, depends on outer conditions (visibility - air transparency, environment, wall colors ie. scene reflectance).

Camera is according to IP67 Index of Protection norm.

SPECIFICATION

Standard:	HD-CVI, HD-TVI, AHD, CVBS
Sensor:	1/2.8 " Progressive Scan CMOS
Matrix size:	2.1 Mpx
Resolution:	1920 x 1080 - 1080p , 960 x 576 - 960H, PAL
Range of IR illumination:	60 m
IR illuminator power adjustment:	Automatic
Lens:	2.8 mm
View angle:	<ul style="list-style-type: none">• 107 ° (manufacturer data)• 101 ° (our tests result)
Video output:	AHD / HD-CVI / HD-TVI / CVBS, 1 Vpp / 75 Ω
Audio:	<ul style="list-style-type: none">• Microphone built-in,• Audio support via coaxial cable - HD-CVI only
Main features:	<ul style="list-style-type: none">• WDR - 130 dB - Wide Dynamic Range• 3D-DNR - Digital Noise Reduction• BLC/HLC - Back Light / High Light Compensation• ICR - Movable InfraRed filter• Day/night mode• AGC - Automatic Gain Control• Auto White Balance• Privacy zones - max. 8• Mirror - Mirror image• Sharpness - sharper image outlines
OSD menu:	OSD menu available via DAHUA recorder

DELTA-OPTI Monika Matysiak; <https://www.delta.poznan.pl>
POL; 60-713 Poznań; Graniczna 10
e-mail: delta-opti@delta.poznan.pl; tel: +(48) 61 864 69 60

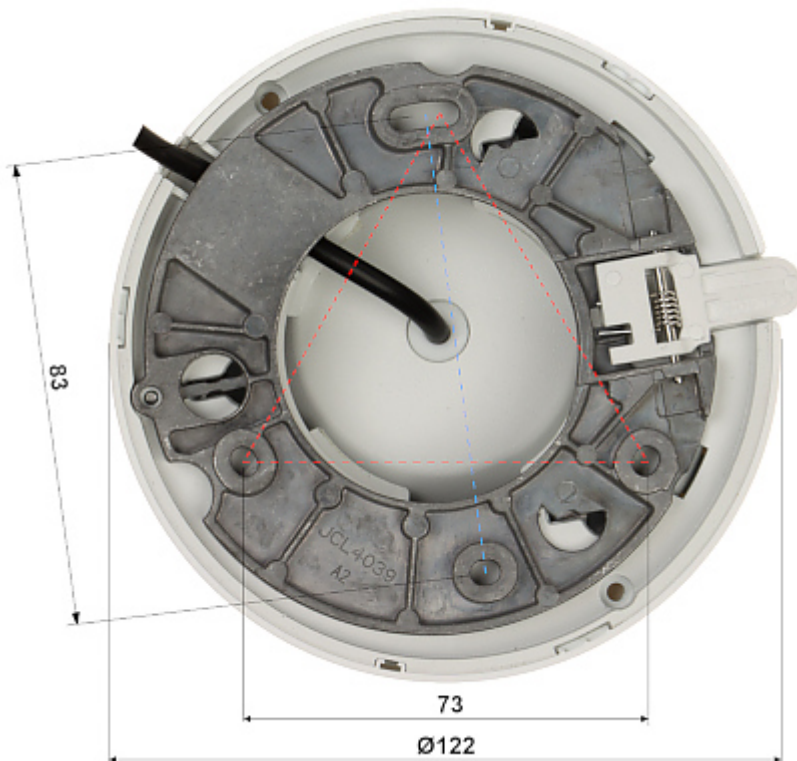
Power supply:	12 V DC / 430 mA
Power consumption:	≤ 5.1 W
Housing:	Dome, Metal + Plastic
"Index of Protection":	IP67
Color:	White
Vandal-proof:	—
Operation temp:	-40 °C ... 60 °C
Weight:	0.41 kg
Dimensions:	Ø 122 x 99 mm
Manufacturer / Brand:	DAHUA
Guarantee:	3 years

PRESENTATION

Camera is out from clamping ring:



Mounting side view:



In the kit:



OUR TESTS

AHD:

Camera image at artificial illumination (about 30Lux):



Camera image at night conditions with internal built-in IR illuminator on:



Camera image at direct strong light opposite to camera:



HD-CVI:

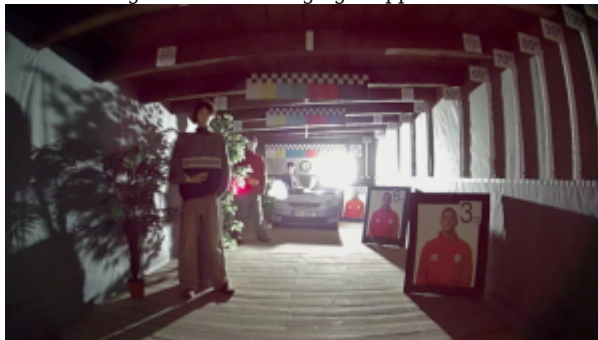
Camera image at artificial illumination (about 30Lux):



Camera image at night conditions with internal built-in IR illuminator on:



Camera image at direct strong light opposite to camera:



HD-TVI:

Camera image at artificial illumination (about 30Lux):



Camera image at night conditions with internal built-in IR illuminator on:



Camera image at direct strong light opposite to camera:



PACKAGE

Dimensions (L x W x H): 0x0x0 mm	Gross Weight: 0 kg
----------------------------------	--------------------



DELTA-OPTI Monika Matysiak; <https://www.delta.poznan.pl>
POL; 60-713 Poznań; Graniczna 10
e-mail: delta-opti@delta.poznan.pl; tel: +(48) 61 864 69 60