

Code: HAC-HFW1230T-A-0360B

AHD, HD-CVI, HD-TVI, PAL CAMERA **HAC-HFW1230T-A-0360B** - 1080p 3.6 mm DAHUA

Net: **65.16 EUR** Gross: **80.15 EUR**

Megapixel camera with 1/2.8" CMOS sensor and AHD / HD-CVI / HD-TVI / PAL.

The AHD / HD-CVI / HD-TVI interface allows to transmission of analog video signal via coaxial cable in max. 8 Mpx (4K UHD) resolution. During transmission there are no delays and is maintained the original, high quality image.

In the case of video transmission using a twisted pair cable and matching transformers (balun), be aware of the possibility of signal reflections and interfering signals.

The 3-Axis integrated camera bracket has a regulation in all three planes, which allows to turn the camera to any direction. The range of IR illumination according to the manufacturer data, depends on outer conditions (visibility - air transparency, environment, wall colors ie. scene reflectance). Camera is according to IP67 Index of Protection norm.



SPECIFICATION

Standard:	AHD, HD-CVI, HD-TVI, CVBS
Sensor:	1/2.8 " CMOS
Matrix size:	2.1 Mpx
Resolution:	1920 x 1080 - 1080p 1280 x 720 - 720p 960 x 576 - 960H
Lens:	3.6 mm
View angle:	• 87 ° (manufacturer data) • 84 ° (our tests result)
Range of IR illumination:	30 m
IR illuminator power adjustment:	Automatic
Video output:	AHD / HD-CVI / HD-TVI / CVBS, 1 Vpp / 75 Ω
Audio:	Microphone built-in, HD-CVI only
S/N ratio:	> 65 dB
OSD menu:	✓
Main features:	<ul style="list-style-type: none">• D-WDR - Wide Dynamic Range• 2D-DNR - Digital Noise Reduction• BLC/HLC - Back Light / High Light Compensation• ICR - Movable InfraRed filter• Sharpness - sharper image outlines• AGC - Automatic Gain Control• Privacy zones• Mirror - Mirror image• Auto White Balance

DELTA-OPTI Monika Matysiak; <https://www.delta.poznan.pl>
POL; 60-713 Poznań; Graniczna 10
e-mail: delta-opti@delta.poznan.pl; tel: +(48) 61 864 69 60

Power supply:	12 V DC / 310 mA
Power consumption:	≤ 3.7 W
Housing:	Compact, Metal
Color:	White
"Index of Protection":	IP67
Operation temp:	-40 °C ... 60 °C
Weight:	0.36 kg
Dimensions:	Ø 73 x 177 mm
Manufacturer / Brand:	DAHUA
Guarantee:	3 years

PRESENTATION

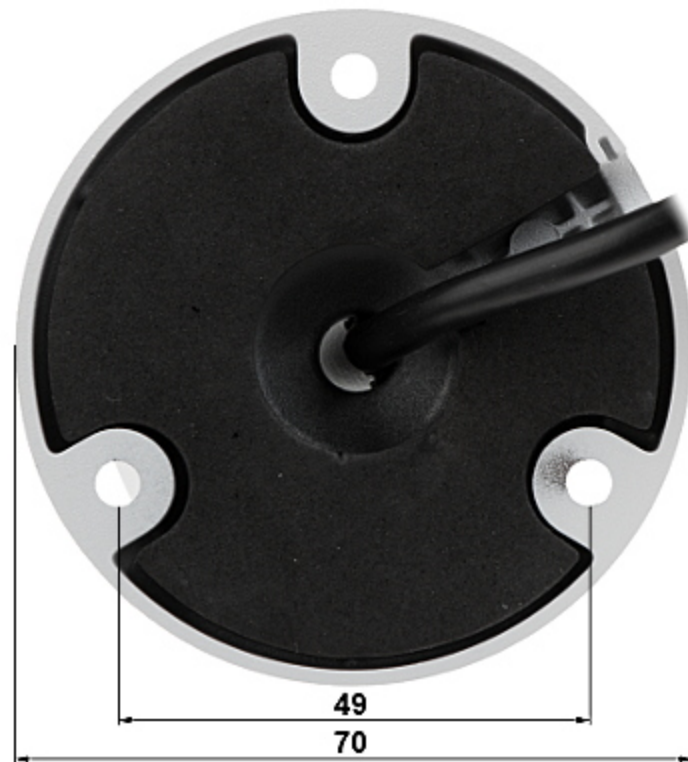
Front view:



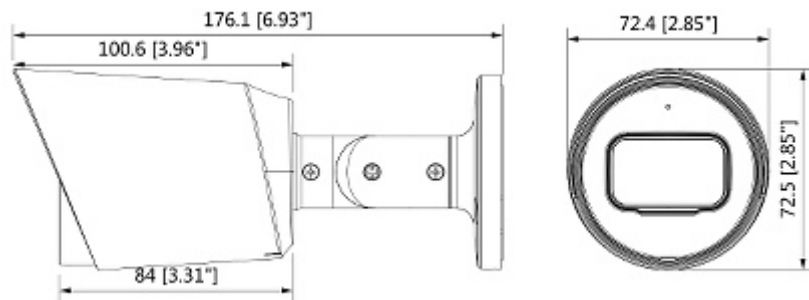
Side view:



Camera mounting side view:



Dimensions:



In the kit:



OUR TESTS

AHD:

Camera image at artificial illumination (about 30Lux):



Camera image at night conditions with internal built-in IR illuminator on:



Camera image at direct strong light opposite to camera:



HD-CVI:

Camera image at artificial illumination (about 30Lux):



Camera image at night conditions with internal built-in IR illuminator on:



Camera image at direct strong light opposite to camera:



HD-TVI:

Camera image at artificial illumination (about 30Lux):



Camera image at night conditions with internal built-in IR illuminator on:



Camera image at direct strong light opposite to camera:

