

Code: HAC-HUM3201B-0360P

# AHD, HD-CVI, HD-TVI, PAL CAMERA **HAC-HUM3201B-0360P** - 1080p 3.6 mm DAHUA

Net: **108.25 EUR** Gross: **133.15 EUR**



Indoor micro camera equipped with very good quality CMOS sensor. High sensor resolution produces high detailed image. So, you can use this camera for example to persons recognition with good results.

Camera is equipped with PINHOLE type lens, needs only a very small hole to get right field of view.

Attention! The camera default setting is HD-CVI standard. To change the camera standard you need use the PFM820 controller, available separately.

The "Starlight" series cameras provide a clear color image even at very poor lighting.

## SPECIFICATION

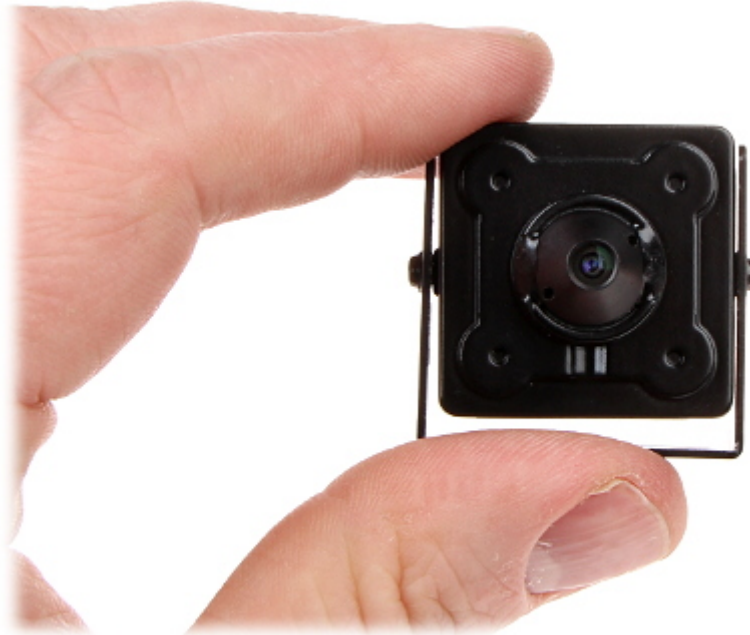
Standard:	AHD, HD-CVI, HD-TVI, PAL
Sensor:	1/2.8 " CMOS
Resolution:	1920 x 1080 - 1080p 1280 x 720 - 720p 704x576 - D1
Lens:	3.6 mm (pinhole)
Matrix size:	2.1 Mpx
View angle:	<ul style="list-style-type: none"><li>• 92 ° (manufacturer data)</li><li>• 90 ° (our tests result)</li></ul>
Min. illumination:	0.05 Lux (color) , 0.005 Lux (B/W)
Video output:	1 Vpp / 75 Ω - AHD / HD-CVI / HD-TVI / CVBS
Audio:	—
Main features:	<ul style="list-style-type: none"><li>• WDR - 120 dB - Wide Dynamic Range</li><li>• 2D-DNR, 3D-DNR - Digital Noise Reduction</li><li>• Sense-UP - (Slow Shutter) - Increase the sensor sensitivity</li><li>• AGC - Automatic Gain Control</li><li>• BLC - Back Light Compensation</li><li>• HLC - High Light Compensation (spot)</li><li>• Auto White Balance</li><li>• The "Starlight" series cameras provide a clear color image even at very poor lighting</li><li>• Length of the cable : 2.8 m</li></ul>

DELTA-OPTI Monika Matysiak; <https://www.delta.poznan.pl>  
POL; 60-713 Poznań; Graniczna 10  
e-mail: [delta-opti@delta.poznan.pl](mailto:delta-opti@delta.poznan.pl); tel: +(48) 61 864 69 60

OSD menu:	OSD menu available via DAHUA recorder
Housing:	Mini, Aluminum
Color:	Black
Application:	The camera is designed for indoor use, due to the possibility of steam condensation.
Power supply:	12 V DC / 100 mA
Power consumption:	≤ 1.2 W
Operation temp:	-30 °C ... 60 °C
Permissible relative humidity:	≤ 95%
Weight:	0.036 kg
Dimensions:	30 x 30 x 22 mm
Manufacturer / Brand:	DAHUA
Guarantee:	<b>3 years</b>

## PRESENTATION

Camera is very small:



Front view:



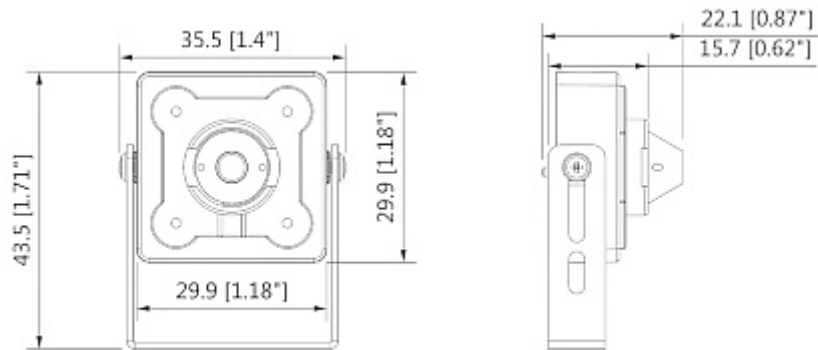
Camera connectors:



Rear view:



Dimensions:



In the kit:



## OUR TESTS

AHD:

Camera image at artificial illumination (about 30Lux):



Camera image at direct strong light opposite to camera:



Camera image at night conditions, at different illumination values show below:

10 LUX:



1 LUX:



0.1 LUX:

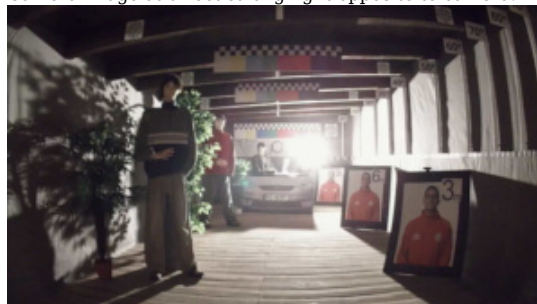


HD-CVI:

Camera image at artificial illumination (about 30Lux):



Camera image at direct strong light opposite to camera:



Camera image at night conditions, at different illumination values show below:

10 LUX:



1 LUX:



0.1 LUX:



HD-TVI:

Camera image at artificial illumination (about 30Lux):



Camera image at direct strong light opposite to camera:



Camera image at night conditions, at different illumination values show below:

10 LUX:



1 LUX:



0.1 LUX:



## OUR OPINIONS



- Small sizes of the camera allow to use it to discreet monitoring.