

Code: HAC-HUM3201B-B-0280P

AHD, HD-CVI, HD-TVI, PAL CAMERA **HAC-HUM3201B-B-0280P** - 1080p 2.8 mm DAHUA

Net: **71.65 EUR** Gross: **88.13 EUR**



Indoor micro camera equipped with very good quality CMOS sensor. High sensor resolution produces high detailed image. So, you can use this camera for example to persons recognition with good results.

Thanks to the "Starlight" technology used, the camera only needs very low lighting to obtain a clear color image.

SPECIFICATION

Standard:	AHD, HD-CVI, HD-TVI, CVBS
Sensor:	1/2.8 " Progressive Scan CMOS
Resolution:	1920 x 1080 - 1080p 1280 x 720 - 720p 960x576 - 960H
Lens:	2.8 mm
View angle:	110 °
Min. illumination:	0.004 Lux (color) , 0.0004 Lux (B/W)
Video output:	1 Vpp / 75 Ω - AHD / HD-CVI / HD-TVI / CVBS
Audio:	✓
Main features:	<ul style="list-style-type: none">• WDR - 120 dB - Wide Dynamic Range• 3D-DNR - Digital Noise Reduction• F-DNR (Defog) - Reduction of image noise caused by precipitation• D-ZOOM - Digital Zoom - 4x• AGC - Automatic Gain Control• BLC - Back Light Compensation• HLC - High Light Compensation (spot)• Auto White Balance• Privacy zones• Mirror - Mirror image
OSD menu:	OSD menu available via DAHUA recorder

DELTA-OPTI Monika Matysiak; <https://www.delta.poznan.pl>
POL; 60-713 Poznań; Graniczna 10
e-mail: delta-opti@delta.poznan.pl; tel: +(48) 61 864 69 60

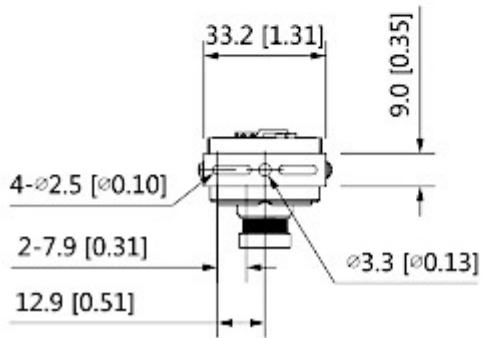
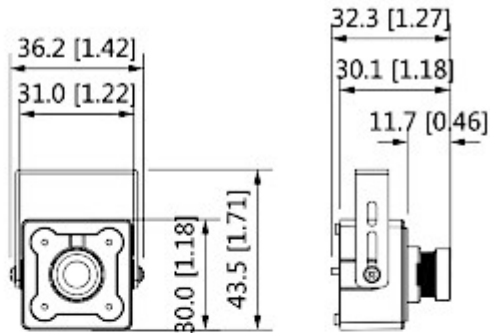
Housing:	Mini, Aluminum
Color:	Black
Application:	The camera is designed for indoor use, due to the possibility of steam condensation.
Power supply:	12 V DC / 180 mA
Power consumption:	≤ 2.11 W
Operation temp:	-30 °C ... 60 °C
Permissible relative humidity:	≤ 95%
Weight:	0.04 kg
Dimensions:	44 x 36 x 30 mm
Manufacturer / Brand:	DAHUA
Guarantee:	3 years

PRESENTATION

Rear view:



Dimensions:



In the kit:



OUR OPINIONS



- Small sizes of the camera allow to use it to discreet monitoring.

