

Code: HAC-HUM3201B-P-0280B-S2

AHD, HD-CVI, HD-TVI, PAL CAMERA **HAC-HUM3201B-P-0280B-S2** PINHOLE - 1080p 2.8 mm DAHUA

Net: **111.21 EUR** Gross: **136.79 EUR**



Indoor micro camera equipped with very good quality CMOS sensor. High sensor resolution produces high detailed image. So, you can use this camera for example to persons recognition with good results.

Thanks to the "Starlight" technology used, the camera only needs very low lighting to obtain a clear color image.

Camera is equipped with PINHOLE type lens, needs only a very small hole to get right field of view.

SPECIFICATION

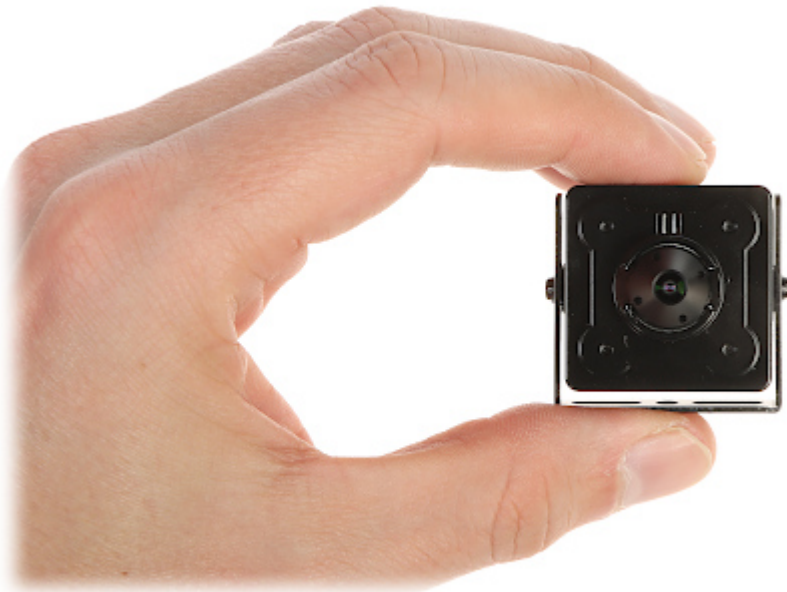
Standard:	AHD, HD-CVI, HD-TVI, CVBS
Sensor:	1/2.8 " Progressive Scan CMOS
Matrix size:	2.1 Mpx
Resolution:	1920 x 1080 - 1080p 1280 x 720 - 720p 960 x 576 - 960H
Lens:	2.8 mm (pinhole), F2.4
View angle:	103 °
Min. illumination:	0.004 Lux (color) , 0.0004 Lux (B/W)
Video output:	1 Vpp / 75 Ω - AHD / HD-CVI / HD-TVI / CVBS
Audio:	<ul style="list-style-type: none">• Audio input - RCA (CINCH)• Audio output - BNC socket - HD-CVI only

Main features:	<ul style="list-style-type: none"> • WDR - 120 dB - Wide Dynamic Range • 3D-DNR - Digital Noise Reduction • F-DNR (Defog) - Reduction of image noise caused by precipitation • Day/night mode • ICR - Movable InfraRed filter • D-ZOOM - Digital Zoom - 4x • AGC - Automatic Gain Control • BLC - Back Light Compensation • HLC - High Light Compensation (spot) • Auto White Balance • Mirror - Mirror image • Privacy zones • Length of the cable : 2.8 m
OSD menu:	OSD menu available via DAHUA recorder
Housing:	Mini, Aluminum
Color:	Black
Application:	The camera is designed for indoor use, due to the possibility of steam condensation.
Power supply:	12 V DC / 180 mA
Power consumption:	≤ 2.11 W
Operation temp:	-30 °C ... 60 °C
Permissible relative humidity:	≤ 95%
Weight:	0.04 kg
Dimensions:	44 x 36 x 30 mm
Manufacturer / Brand:	DAHUA
Guarantee:	3 years

PRESENTATION



Camera is very small:



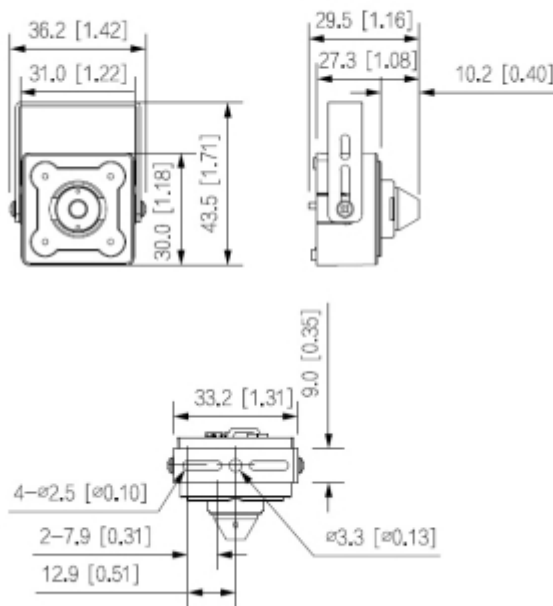
Rear view:





Dimensions:

mm [inch]



In the kit:



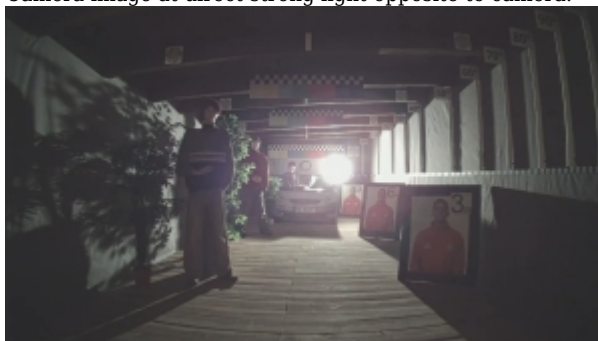
OUR TESTS

AHD:

Camera image at artificial illumination (about 30Lux):



Camera image at direct strong light opposite to camera:



Camera image at night conditions, at different illumination values show below:

10 LUX:



1 LUX:



0.1 LUX:



0.01 LUX:



HD-CVI:

Camera image at artificial illumination (about 30Lux):



Camera image at direct strong light opposite to camera:



Camera image at night conditions, at different illumination values show below:

10 LUX:



1 LUX:



0.1 LUX:



0.01 LUX:

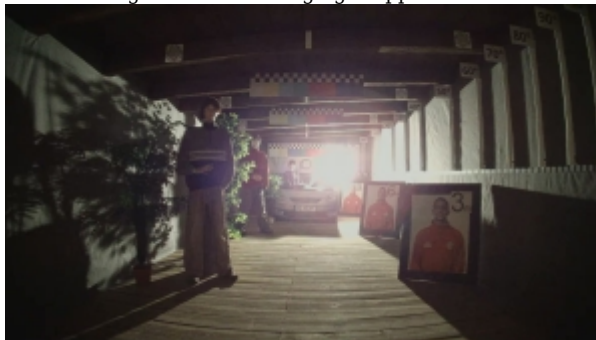


HD-TVI:

Camera image at artificial illumination (about 30Lux):



Camera image at direct strong light opposite to camera:



Camera image at night conditions, at different illumination values show below:

10 LUX:



1 LUX:



0.1 LUX:



0.01 LUX:



OUR OPINIONS



- Small sizes of the camera allow to use it to discreet monitoring.
- Thanks to the "Starlight" technology used, the camera only needs very low lighting to obtain a clear color image.

PACKAGE

Dimensions (L x W x H): 0x0x0 mm	Gross Weight: 0 kg
----------------------------------	--------------------

