

Code: DS-2CD2542FWD-IS(2.8mm)

IP VANDALPROOF CAMERA **DS-2CD2542FWD-IS(2.8mm)** - 4.1 Mpx Hikvision

Net: **1 111.00 PLN** Gross: **1 366.53 PLN**

IP camera with efficient H.264 image compression algorithm for clear and smooth video streaming at maximal resolution of 2688 x 1520 (4.0 MPx). Due to above it is perfect solution for surveillance systems requiring persons or vehicles recognition.

Very easy operation by Internet Explorer browser allows the users to convenient and remote support, and also remote management of the camera. Included camera software enables management and integrated monitoring of many network cameras. Its using allows to create large surveillance system.



SPECIFICATION

Standard:	TCP/IP
Sensor:	1/3 " Progressive Scan CMOS
Matrix size:	4.1 Mpx
Scanning system:	Progressive
Resolution:	2688 x 1520 - 4.1 Mpx , 2304 x 1296 - 3.0 Mpx , 1920 x 1080 - 1080p 1280 x 720 - 720p
Lens:	2.8 mm / F2.0
View angle:	<ul style="list-style-type: none">• 106 ° (manufacturer data)• 101 ° (our tests result)
S/N ratio:	> 50 dB
Range of IR illumination:	10 m
Memory card slot:	Micro SD memory cards up to 128GB support (possible local recording)
Image compression method:	H.264+ / H.264 / MJPEG
Alarm inputs / outputs:	1 / 1
Bitrate:	32 ... 16384 kbps
Main stream frame rate:	20 fps @ 4.1 Mpx 25 fps @ 1080p
Network interface:	10/100 Base-T (RJ-45)
Network protocols:	TCP, UDP, ICMP, HTTP, HTTPS, FTP, DHCP, DNS, DDNS, RTP, RTSP, RTCP, PPPoE, NTP, UPnP, SMTP, SNMP, IGMP, IEEE 802.1x, QoS, IPv6, Bonjour
Audio:	<ul style="list-style-type: none">• Microphone built-in• Audio output - terminals
WEB Server:	Built-in
Max. number of on-line users:	6

DELTA-OPTI Monika Matysiak; <https://www.delta.poznan.pl>
POL; 60-713 Poznań; Graniczna 10
e-mail: delta-opti@delta.poznan.pl; tel: +(48) 61 864 69 60

ONVIF:	16.12
RS-485 interface:	—
Mobile phones support:	Port no.: 8000 or access by a cloud (P2P) <ul style="list-style-type: none"> • Android: Free application iVMS-4500 • iOS (iPhone): Free application iVMS-4500
Main features:	<ul style="list-style-type: none"> • Possibility to change the resolution, quality and bit rate • Configurable: brightness, contrast, saturation • Day/night mode • ICR - Movable InfraRed filter • 3D-DNR - Digital Noise Reduction • WDR - 120 dB - Wide Dynamic Range • BLC - configurable Back Light Compensation • Motion Detection • Intelligent Image Analysis : intrusion, crossing the line (tripwire), face detection • Tamper signaling • ANR - Automatic Network Replenishment allows to save image to the card when the network connection with DVR is break (network failure) and next synchronize its
Power supply:	<ul style="list-style-type: none"> • PoE (802.3af), • 12 V DC / 420 mA
Power consumption:	≤ 5 W
Housing:	Dome - Metal / Plastic
Color:	White
Vandal-proof:	IK08
"Index of Protection":	IP67
Operation temp:	-30 °C ... 60 °C
Weight:	0.38 kg
Dimensions:	99 x 97 x 53 mm
Supported languages:	English, Bulgarian, Croatian, Czech, Danish, Estonian, Finnish, French, Greek, Spanish, Dutch, Lithuanian, Latvian, German, Norwegian, Polish, Portuguese, Russian, Romanian, Serbian, Slovak, Slovenian, Swedish, Turkish, Hungarian, Italian
Manufacturer / Brand:	Hikvision
SAP Code:	300808148
Country of origin:	China
Guarantee:	3 years

PRESENTATION

View after remove the cover:





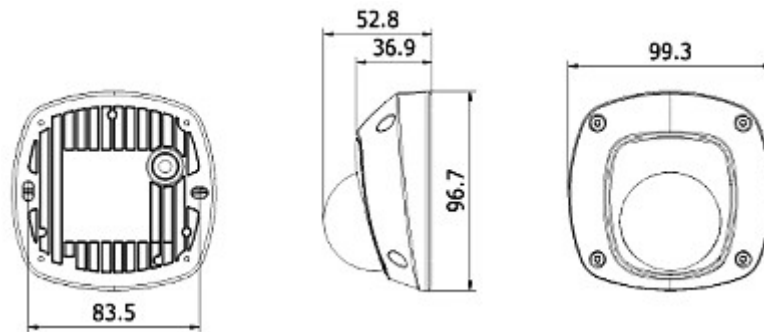
Memory card slot:



Mounting side view:



Camera dimensions:



In the kit:



OUR TESTS

Camera image at artificial illumination (about 30Lux):



DELTA-OPTI Monika Matysiak; <https://www.delta.poznan.pl>
POL; 60-713 Poznań; Graniczna 10
e-mail: delta-opti@delta.poznan.pl; tel: +(48) 61 864 69 60

Camera image at night conditions with internal built-in IR illuminator on:



Camera image at direct strong light opposite to camera:



OUR OPINIONS



- Small dimensions camera is difficult to see to other people.

