

Code: DS-2CD2123G0-IS(2.8MM)

IP VANDALPROOF CAMERA **DS-2CD2123G0-IS(2.8MM)** - 1080p Hikvision

Net: **182.04 EUR** Gross: **223.91 EUR**

IP camera with efficient H.264 / H.265 image compression algorithm for clear and smooth video streaming at maximal resolution of 1080p.

PoE powering possibility, compatible with the 802.3af standard makes the device more universal and easier to install.



SPECIFICATION

| | |
|---------------------------|---|
| Standard: | TCP/IP |
| Sensor: | 1/2.8 " Progressive Scan CMOS |
| Matrix size: | 2.1 Mpx |
| Scanning system: | Progressive |
| Resolution: | 1920 x 1080 - 1080p , 1280 x 960 - 1.3 Mpx , 1280 x 720 - 720p |
| Lens: | 2.8 mm |
| View angle: | <ul style="list-style-type: none">• 114 ° (manufacturer data)• 107 ° (our tests result) |
| Range of IR illumination: | 30 m |
| S/N ratio: | > 50 dB |
| RS-485 interface: | — |
| Image compression method: | H.265+ / H.265 / H.264+ / H.264 / MJPEG |
| Alarm inputs / outputs: | 1 / 1 |
| Audio: | <ul style="list-style-type: none">• External microphone input• Audio output• Bi-directional audio streaming support |
| Memory card slot: | Micro SD memory cards up to 128GB support (possible local recording) |
| Bitrate: | 32 ... 16384 kbps |
| Main stream frame rate: | 25 fps @ 1080p |
| Network interface: | 10/100 Base-T (RJ-45) |

DELTA-OPTI Monika Matysiak; <https://www.delta.poznan.pl>
POL; 60-713 Poznań; Graniczna 10
e-mail: delta-opti@delta.poznan.pl; tel: +(48) 61 864 69 60

| | |
|--------------------------------|---|
| Network protocols: | TCP/IP, ICMP, HTTP, HTTPS, FTP, DHCP, DNS, DDNS, RTP, RTSP, RTCP, PPPoE, NTP, UPnP, SMTP, SNMP, IGMP, IEEE 802.1x, QoS, IPv6, Bonjour |
| WEB Server: | Built-in |
| Max. number of on-line users: | 6 |
| ONVIF: | 17.12 |
| Mobile phones support: | Port no.: 8000 or access by a cloud (P2P) <ul style="list-style-type: none"> • Android: Free application iVMS-4500 or Hik-Connect • iOS (iPhone): Free application iVMS-4500 or Hik-Connect |
| Default admin user / password: | admin / - The administrator password should be set at the first start |
| Default IP address: | 192.168.1.64 |
| Web browser access ports: | 80 |
| PC client access ports: | Port no.: 8000 or access by a cloud (P2P) - iVMS-4200 application |
| Mobile client access ports: | 8000 |
| Port ONVIF: | 80 |
| RTSP URL: | <ul style="list-style-type: none"> • Main stream rtsp://192.168.1.64:554/Streaming/Channels/101/ - RTSP - without authorization rtsp://user:password@192.168.1.64:554/Streaming/Channels/101/ - with authorization • Sub stream rtsp://192.168.1.64:554/Streaming/Channels/102/ - RTSP - without authorization rtsp://user:password@192.168.1.64:554/Streaming/Channels/102/ - with authorization |
| Main features: | <ul style="list-style-type: none"> • WDR - 120 dB - Wide Dynamic Range • 3D-DNR - Digital Noise Reduction • ROI - improve the quality of selected parts of image • ANR - Automatic Network Replenishment allows to save image to the card when the network connection with DVR is break (network failure) and next synchronize its • BLC/HLC - Back Light / High Light Compensation • RESET button • Possibility to change the resolution, quality and bit rate • Configurable Privacy Zones • Mirror - Mirror image • Sharpness - sharper image outlines • Image analysis : Motion Detection, intrusion, crossing the line (tripwire), face detection |
| Power supply: | <ul style="list-style-type: none"> • PoE (802.3af), • 12 V DC / 500 mA |
| Power consumption: | <ul style="list-style-type: none"> ≤ 7.5 W @ PoE (802.3af) ≤ 6 W @ 12 V DC |
| Housing: | Dome, Metal |
| Vandal-proof: | IK10 |
| "Index of Protection": | IP67 |
| Color: | White |
| Operation temp: | -30 °C ... 60 °C |
| Weight: | 0.59 kg |
| Dimensions: | Ø 111 x 82 mm |
| Supported languages: | Polish, English, Bulgarian, Croatian, Czech, Danish, Estonian, Finnish, French, Greek, Spanish, Dutch, Lithuanian, Latvian, German, Norwegian, Portuguese, Russian, Romanian, Serbian, Slovak, Slovenian, Swedish, Turkish, Hungarian, Vietnamese, Italian |
| Manufacturer / Brand: | Hikvision |
| SAP Code: | 311300880 |
| Guarantee: | 3 years |



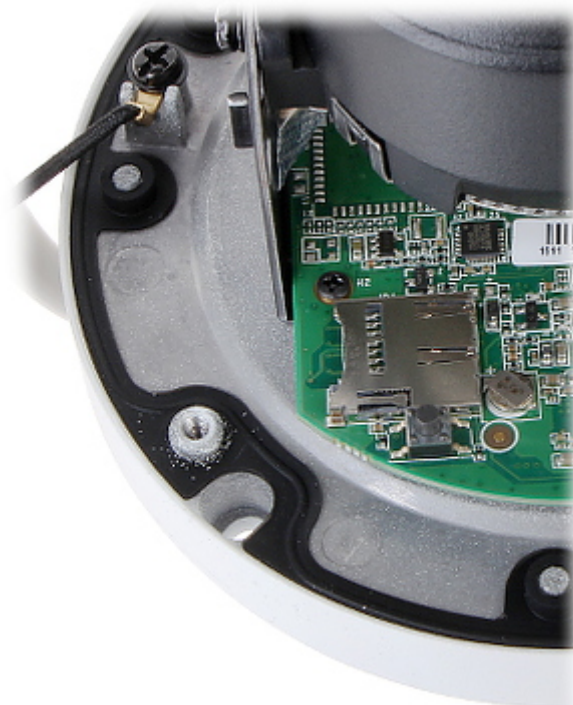
DELTA-OPTI Monika Matysiak; <https://www.delta.poznan.pl>
POL; 60-713 Poznań; Graniczna 10
e-mail: delta-opti@delta.poznan.pl; tel: +(48) 61 864 69 60

PRESENTATION

Camera view after remove the Dome cover:



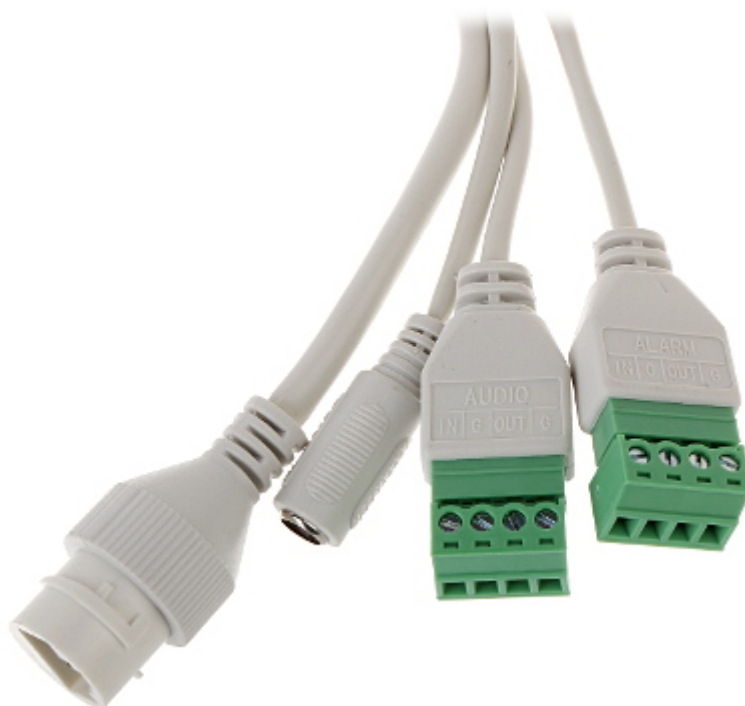
Memory card slot:



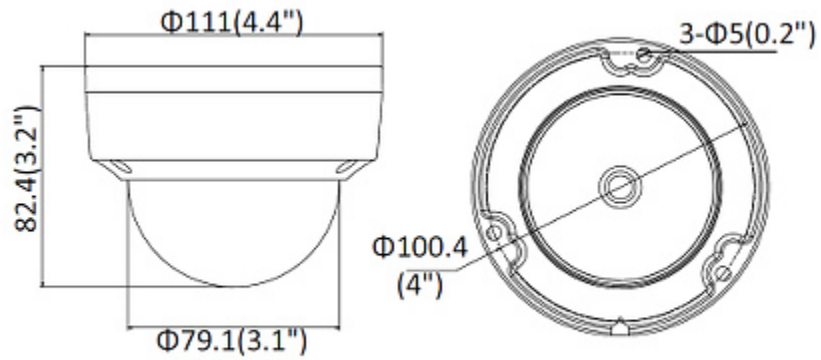
Mounting side view:



Connectors:



Camera dimensions:



In the kit:



OUR TESTS

Camera image at artificial illumination (about 30Lux):



Camera image at night conditions with internal built-in IR illuminator on:



Camera image at direct strong light opposite to camera:

