

Code: DS-2CD2546G2-IS(2.8MM)(C)(BLACK)

IP VANDALPROOF CAMERA **DS-2CD2546G2-IS(2.8MM)(C)(BLACK)**

ACUSENSE - 4 Mpx Hikvision

Net: **327.95 EUR** Gross: **327.95 EUR**

IP camera with efficient H.264 / H.265 image compression algorithm for clear and smooth video streaming at maximal resolution of 4 MPx.

PoE powering possibility, compatible with the 802.3af standard makes the device more universal and easier to install. Powered by Darkfighter - the camera has very good sensitivity, dedicated to poor lighting conditions.

The camera has extensive functions of intelligent image analysis.



SPECIFICATION

Standard:	TCP/IP
Sensor:	1/3 " Progressive Scan CMOS
Matrix size:	4 Mpx
Scanning system:	Progressive
Resolution:	2688 x 1520 - 4 Mpx , 1920 x 1080 - 1080p , 1280 x 720 - 720p
Lens:	2.8 mm
View angle:	<ul style="list-style-type: none">• 103 ° (manufacturer data)• 96 ° (our tests result)
Range of IR illumination:	30 m
RS-485 interface:	—
Image compression method:	H.265+ / H.265 / H.264+ / H.264 / MJPEG
Alarm inputs / outputs:	1 / 1
Audio:	<ul style="list-style-type: none">• Microphone built-in• External microphone input• Audio output• Bi-directional audio streaming support
Memory card slot:	Micro SD memory cards up to 256GB support (possible local recording)
Main stream frame rate:	25 fps @ 4 Mpx
Network interface:	10/100 Base-T (RJ-45)

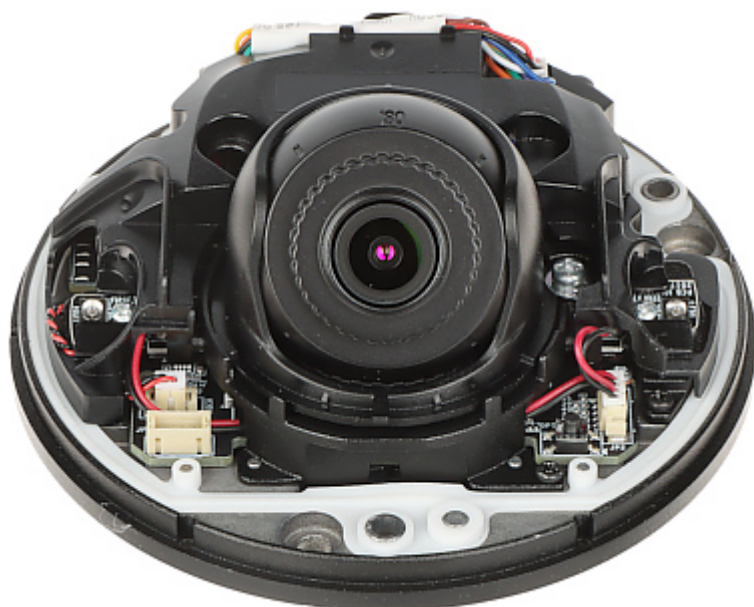
DELTA-OPTI Monika Matysiak; <https://www.delta.poznan.pl>
POL; 60-713 Poznań; Graniczna 10
e-mail: delta-opti@delta.poznan.pl; tel: +(48) 61 864 69 60

Network protocols:	TCP/IP, ICMP, HTTP, HTTPS, FTP, DHCP, DNS, DDNS, RTP, RTSP, NTP, UPnP, SMTP, IGMP, IEEE 802.1x, QoS, IPv4/IPv6, UDP, Bonjour, SSL / TLS, PPPoE, SNMP, ARP, WebSocket, WebSockets
WEB Server:	Built-in
Max. number of on-line users:	6
ONVIF:	✓
Mobile phones support:	Port no.: 8000 or access by a cloud (P2P) <ul style="list-style-type: none"> • Android: Free application Hik-Connect • iOS: Free application Hik-Connect
Default admin user / password:	admin / - The administrator password should be set at the first start
Default IP address:	192.168.1.64
Web browser access ports:	80
PC client access ports:	Port no.: 8000 or access by a cloud (P2P) - iVMS-4200 application
Mobile client access ports:	8000
Port ONVIF:	80
RTSP URL:	<ul style="list-style-type: none"> • Main stream : rtsp://user:password@192.168.1.64:554/Streaming/Channels/101/ • Sub stream : rtsp://user:password@192.168.1.64:554/Streaming/Channels/102/
Main features:	<ul style="list-style-type: none"> • Camera from AcuSense series • WDR - 120 dB - Wide Dynamic Range • 3D-DNR - Digital Noise Reduction • ROI - improve the quality of selected parts of image • EXIR - high-efficiency infrared LEDs technology, which evenly covers the whole plan of both central vantage points of the scene as well as the corners • NAS - Network Attached Storage support • ANR - Automatic Network Replenishment allows to save image to the card when the network connection with DVR is break (network failure) and next synchronize its • Anti-Flicker - The technology eliminates the tiring eyes flickering image effect • BLC - Back Light Compensation • HLC - High Light Compensation (spot) • AGC - Automatic Gain Control • Day/night mode • ICR filter - IR illuminators support • Possibility to change the resolution, quality and bit rate • Motion Detection - classification of people and vehicles • Configurable Privacy Zones • Mirror - Mirror image • Sharpness - sharper image outlines • Filtering of false alarms based on the recognition of persons and vehicles • Intelligent image analysis : intrusion, crossing the line (tripwire), video tampering, detection of entry into the area / exit from the area, scene changing, advanced face capture features
Power supply:	<ul style="list-style-type: none"> • PoE (802.3af), • 12 V DC / 580 mA
Power consumption:	<ul style="list-style-type: none"> • ≤ 6.5 W @ PoE (802.3af) • ≤ 5.5 W @ 12 V DC
Housing:	Dome, Aluminum + Plastic
Color:	Black
"Index of Protection":	IP67
Vandal-proof:	IK08
Operation temp:	-30 °C ... 60 °C
Weight:	0.41 kg
Dimensions:	Ø 110 x 57 mm
Supported languages:	Polish, English, Bulgarian, Croatian, Czech, Danish, Estonian, Finnish, French, Greek, Spanish, Dutch, Lithuanian, Latvian, German, Norwegian, Portuguese, Russian, Romanian, Serbian, Slovak, Slovenian, Swedish, Turkish, Ukrainian, Hungarian, Vietnamese, Italian

Manufacturer / Brand:	Hikvision
SAP Code:	311318145
Guarantee:	3 years

PRESENTATION

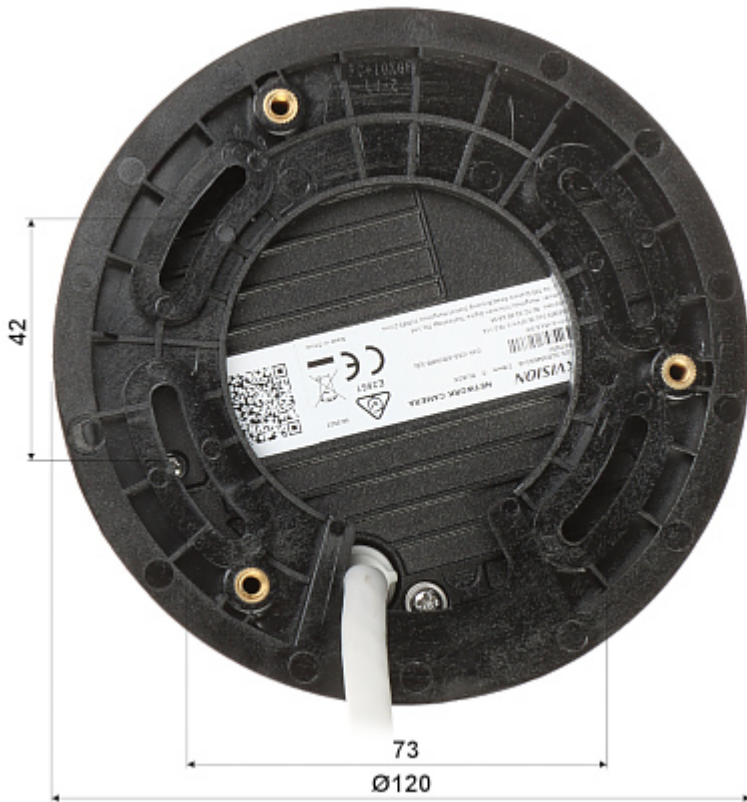
View after remove the cover:



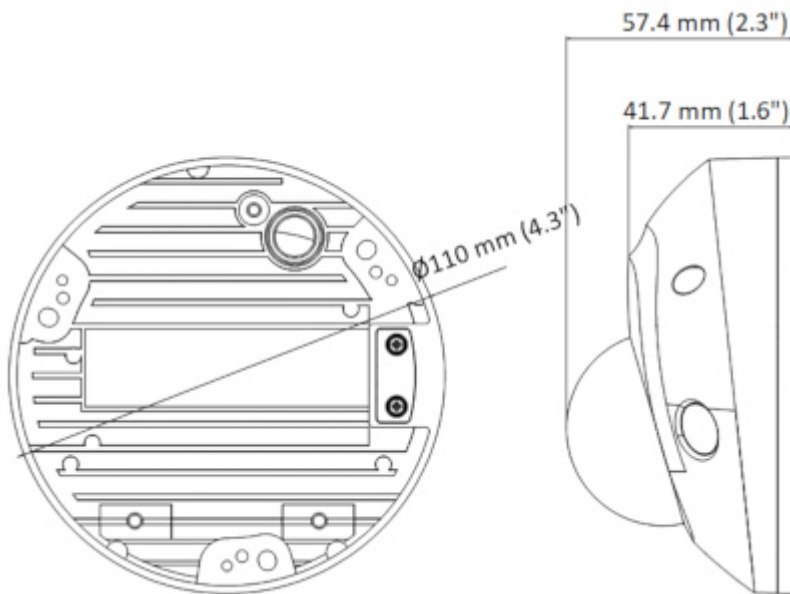
Memory card slot:



Camera mounting side view:



Dimensions:



Camera connectors:





In the kit:



OUR TESTS

Camera image at artificial illumination (about 30Lux):



Camera image at night conditions with internal built-in IR illuminator on:



Camera image at direct strong light opposite to camera:



PACKAGE

Dimensions (L x W x H): 0x0x0 mm	Gross Weight: 0 kg
----------------------------------	--------------------



DELTA-OPTI Monika Matysiak; <https://www.delta.poznan.pl>
POL; 60-713 Poznań; Graniczna 10
e-mail: delta-opti@delta.poznan.pl; tel: +(48) 61 864 69 60