

Code: IPC-HDBW5241E-Z5E-0735-DC12AC24V

IP VANDALPROOF CAMERA **IPC-HDBW5241E-Z5E-0735-DC12AC24V** - 1080p 7 ... 35 mm - **MOTOZOOM** DAHUA

Net: **400.25 EUR** Gross: **492.31 EUR**

IP camera with efficient H.264 / H.265 image compression algorithm for clear and smooth video streaming at maximal resolution of 1080p. Due to above it is perfect solution for surveillance systems requiring persons or vehicles recognition. The used motozoom lens with 7 ... 35 mm focal length allows to remote view angle adjustment.

The range of IR illumination according to the manufacturer data, depends on outer conditions (visibility - air transparency, environment, wall colors ie. scene reflectance).

PoE powering possibility, compatible with the 802.3at standard makes the device more universal and easier to install. The device is equipped with ePoE technology which enables transmission up to 800 m at a speed of 10 Mb/s or 300 m at a speed of 100 Mb/s via cat. 5e twisted-pair.

The camera has extensive functions of intelligent image analysis.



SPECIFICATION

Standard:	TCP/IP
Sensor:	1/2.8 " STARVIS™ CMOS
Matrix size:	2.1 Mpx
Resolution:	1920 x 1080 - 1080p 1280 x 960 - 1.3 Mpx 1280 x 720 - 720p
Lens:	7 ... 35 mm - Motozoom
View angle:	33 ° ... 10 °
Range of IR illumination:	80 m
RS-485 interface:	<input type="checkbox"/>
Memory card slot:	Micro SD memory cards up to 256GB support (possible local recording)
Image compression method:	H.265+ / H.265 / H.264+ / H.264 / MJPEG
Alarm inputs / outputs:	1 / 1
Audio:	<ul style="list-style-type: none">• External microphone input• Audio output• Bi-directional audio streaming support• Audio detection
Bitrate:	32 kb/s ... 8192 kb/s - H.264 19 kb/s ... 7424 kbps - H.265
Network interface:	10/100 Base-T (RJ-45)
Network protocols:	HTTP, HTTPS, TCP, ARP, RTSP, RTP, UDP, RTCP, SMTP, FTP, DHCP, DNS, DDNS, PPPoE, IPv4/IPv6, SNMP, QoS, UPnP, NTP, ICMP, IGMP, IEEE 802.1x, Multicast
WEB Server:	Built-in, Web Viewer

DELTA-OPTI Monika Matysiak; <https://www.delta.poznan.pl>
POL; 60-713 Poznań; Graniczna 10
e-mail: delta-opti@delta.poznan.pl; tel: +(48) 61 864 69 60

Max. number of on-line users:	20
ONVIF:	18.06
Main stream frame rate:	25 fps @ 1080p
Mobile phones support:	Port no.: 37777 or access by a cloud (P2P) <ul style="list-style-type: none"> • Android: Darmowa aplikacja gDMSS Plus • iOS (iPhone): Darmowa aplikacja iDMSS Plus
Default IP address:	192.168.1.108
Default admin user / password:	admin / - The administrator password should be set at the first start
Web browser access ports:	80, 37777
PC client access ports:	37777
Mobile client access ports:	37777
Port ONVIF:	80
RTSP URL:	rtsp://admin:haslo@192.168.1.108:554/cam/realmonitor?channel=1&subtype=0 - Main stream rtsp://admin:haslo@192.168.1.108:554/cam/realmonitor?channel=1&subtype=1 - Sub stream
Main features:	<ul style="list-style-type: none"> • Motozoom lens • WDR - 120 dB - Wide Dynamic Range • EIS - Electronic Image Stabilization • 3D-DNR - Digital Noise Reduction • F-DNR (Defog) - Reduction of image noise caused by precipitation • BLC - configurable Back Light Compensation • HLC - High Light Compensation (spot) • ROI - improve the quality of selected parts of image • ICR - Movable InfraRed filter • Motion Detection • Configurable Privacy Zones • D-ZOOM - Digital Zoom • Auto White Balance • Sharpness - sharper image outlines • Mirror - Mirror image • Heat map - the selection in the image by corresponding colors the areas with different traffic • IVS analysis : crossing the line (tripwire), intrusion, loitering detection, abandoned/missing object, illegal parking, detection of people gathering, people counting, face detection - supports 6 types of facial attributes extraction
Power supply:	<ul style="list-style-type: none"> • PoE (802.3at), • ePoE, • 12 V DC / 1000 mA, • 24 V AC / 500 mA
Power consumption:	≤ 11.8 W
Housing:	Dome - Metal
Color:	White
"Index of Protection":	IP67
Vandal-proof:	IK10
Operation temp:	-30 °C ... 60 °C
Weight:	0.9 kg
Dimensions:	Ø 159 x 118 mm
Supported languages:	Polish, English, Czech, French, Spanish, Dutch, German, Portuguese, Russian, Italian
Manufacturer / Brand:	DAHUA
Guarantee:	3 years

PRESENTATION



DELTA-OPTI Monika Matysiak; <https://www.delta.poznan.pl>
POL; 60-713 Poznań; Graniczna 10
e-mail: delta-opti@delta.poznan.pl; tel: +(48) 61 864 69 60

Camera view after remove the Dome cover:

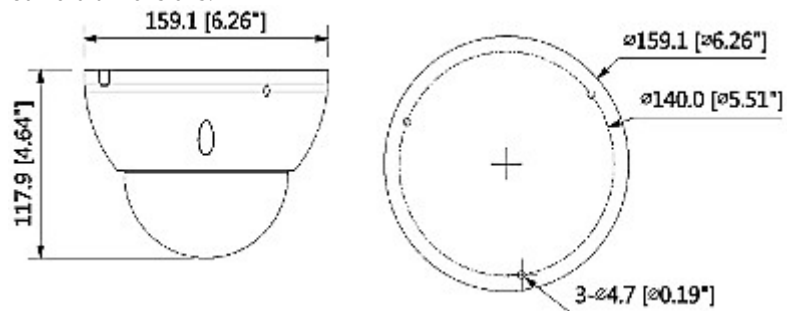




Mounting side view:

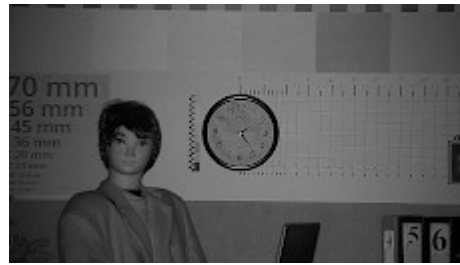


Camera dimensions:

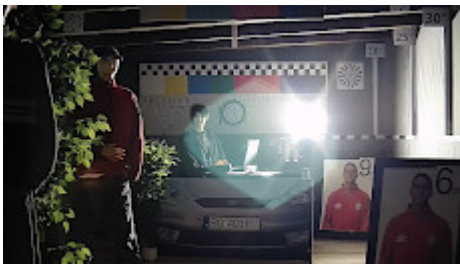




Camera image at night conditions with internal built-in IR illuminator on:



Camera image at direct strong light opposite to camera:



OUR OPINIONS



- The camera has extensive functions of intelligent image analysis.

