

Code: IPC-HDBW5831E-ZE-2712

IP VANDALPROOF CAMERA **IPC-HDBW5831E-ZE-2712** - 8.3 Mpx 2.7 ...
12 mm - **MOTOZOOM** DAHUA
Net: 2 152.00 PLN Gross: 2 646.96 PLN

IP camera with efficient H.264/H.265 image compression algorithm for clear and smooth video streaming at maximal resolution of 3840 x 2160 (8.3 MPx). Due to above it is perfect solution for surveillance systems requiring persons or vehicles recognition. The used motozoom lens with 2.7 ... 12 mm focal length allows to remote view angle adjustment.

The range of IR illumination according to the manufacturer data, depends on outer conditions (visibility - air transparency, environment, wall colors ie. scene reflectance).

PoE powering possibility, compatible with the 802.3at standard makes the device more universal and easier to install. The device is equipped with ePoE technology which enables transmission up to 800 m at a speed of 10 Mb/s or 300 m at a speed of 100 Mb/s via cat. 5e twisted-pair.



SPECIFICATION

Standard:	TCP/IP
Sensor:	1/2.5 " Progressive Scan CMOS
Matrix size:	8.3 Mpx
Resolution:	3840 x 2160 - 8.3 Mpx , 3072 x 2048 - 6.3 Mpx , 3072 x 1728 - 5.3 Mpx , 2592 x 1944 - 5.0 Mpx , 2688 x 1520 - 4.0 Mpx , 2560 x 1440 - 3.7 Mpx , 2304 x 1296 - 3.0 Mpx , 1920 x 1080 - 1080p , 1280 x 1024 - 1.4 Mpx , 1280 x 960 - 1.3 Mpx , 1280 x 720 - 720p
Lens:	2.7 ... 12 mm - Motozoom
View angle:	<ul style="list-style-type: none">• 110 ° ... 40 ° (manufacturer data)• 103 ° ... 38 ° (our tests result)
Range of IR illumination:	50 m
S/N ratio:	> 50 dB
RS-485 interface:	<input type="checkbox"/>
Memory card slot:	Micro SD memory cards up to 128GB support (possible local recording)
Image compression method:	H.265 / H.264
Alarm inputs / outputs:	1 / 1

DELTA-OPTI Monika Matysiak; <https://www.delta.poznan.pl>
POL; 60-713 Poznań; Graniczna 10
e-mail: delta-opti@delta.poznan.pl; tel: +(48) 61 864 69 60

Audio:	<ul style="list-style-type: none"> • External microphone input • Audio output • Bi-directional audio streaming support • Audio detection
Bitrate:	24 ... 10240 kbps @ H.264 14 ... 9984 kbps @ H.265
Network interface:	10/100 Base-T (RJ-45)
Network protocols:	HTTP, HTTPS, TCP, ARP, RTSP, RTP, UDP, SMTP, FTP, DHCP, DNS, DDNS, PPPoE, IPv4/IPv6, QoS, UPnP, NTP, Bonjour, 802.1x Radius, Multicast, ICMP, IGMP, SNMP
WEB Server:	Built-in, Web Viewer
Max. number of on-line users:	20
ONVIF:	16.12
Main stream frame rate:	15 fps @ 8.3 Mpx 20 fps @ 6.3 Mpx 25 fps @ 5.3 Mpx
Mobile phones support:	Port no.: 37777 or access by a cloud (P2P) <ul style="list-style-type: none"> • Android: Darmowa aplikacja gDMSS Plus • iOS (iPhone): Darmowa aplikacja iDMSS Plus
Main features:	<ul style="list-style-type: none"> • Motozoom lens - Controlling from browser, NVR or software • 3D-DNR - Digital Noise Reduction • D-WDR - Wide Dynamic Range • ICR - Movable InfraRed filter • BLC - configurable Back Light Compensation • HLC - High Light Compensation (spot) • IVS analysis : crossing the line (tripwire), scene changing, intrusion, abandoned/missing object, face detection • Audio detection • Day/Night mode (color/b&w/auto) • Configurable Privacy Zones
Power supply:	<ul style="list-style-type: none"> • ePoE, • PoE (802.3at), • 12 V DC / 1250 mA, • 24 V AC / 630 mA
Power consumption:	≤ 15 W
Housing:	Dome - Metal
Color:	White
"Index of Protection":	IP67
Vandal-proof:	IK10
Operation temp:	-30 °C ... 60 °C
Weight:	0.88 kg
Dimensions:	Ø 159 x 118 mm
Supported languages:	English, Polish
Manufacturer / Brand:	DAHUA
Guarantee:	3 years

PRESENTATION



DELTA-OPTI Monika Matysiak; <https://www.delta.poznan.pl>
POL; 60-713 Poznań; Graniczna 10
e-mail: delta-opti@delta.poznan.pl; tel: +(48) 61 864 69 60

Camera view after remove the Dome cover:



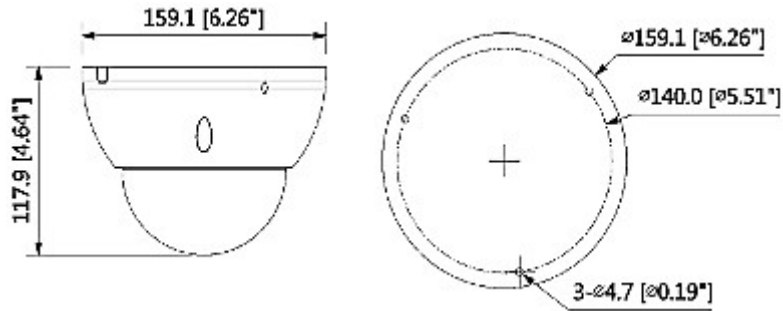
Memory card slot:



Mounting side view:



Dimensions:



See how to initialize DAHUA cameras:

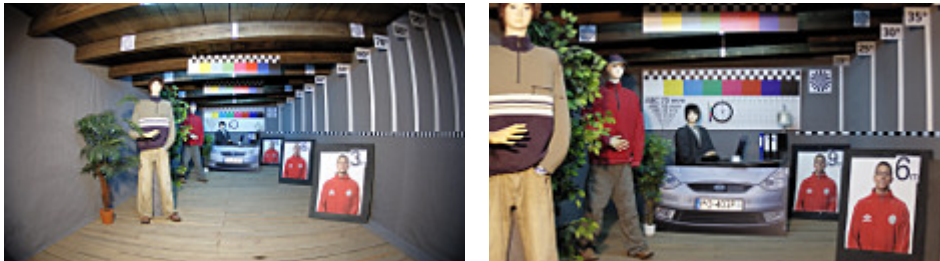
:

In the kit:



OUR TESTS

Camera image at artificial illumination (about 30Lux):



Camera image at night conditions with internal built-in IR illuminator on:



Camera image at direct strong light opposite to camera:

