

Code: APTI-350V3-2812P

## IP VANDALPROOF CAMERA **APTI-350V3-2812P** - 3 Mpx 2.8 ... 12 mm

Net: **74.18 EUR** Gross: **91.24 EUR**

IP camera with efficient H.264 / H.265 image compression algorithm for clear and smooth video streaming at maximal resolution of 3 MPx.

Camera bracket allows to adjust the camera to any direction, and power cables are hidden inside the bracket. The range of IR illumination according to the manufacturer data, depends on outer conditions (visibility - air transparency, environment, wall colors ie. scene reflectance).

PoE powering possibility, compatible with the 802.3af standard makes the device more universal and easier to install.

Camera is according to IP66 Index of Protection norm.



### SPECIFICATION

Standard:	TCP/IP
Sensor:	1/2.8 " SONY Starvis™ Back-illuminated CMOS
Matrix size:	3 Mpx
Resolution:	2304 x 1296 - 3 Mpx , 1920 x 1080 - 1080p , 1280 x 720 - 720p
Lens:	2.8 ... 12 mm, 3 Mpx
View angle:	• 93 ° ... 29 ° (manufacturer data) • 93 ° ... 36 ° (our tests result)
S/N ratio:	≥ 52 dB
Range of IR illumination:	30 m
Image compression method:	H.265+ (max. 1080p) / H.265 / H.264+ / H.264 / MJPEG
Bitrate:	32 ... 16384 kbps
Main stream frame rate:	max. 20 fps @ 3 Mpx
Network interface:	10/100 Base-T (RJ-45)
Memory card slot:	Micro SD memory cards up to 128GB support (possible local recording)
Alarm inputs / outputs:	—
Network protocols:	TCP/IP, ICMP, HTTP, HTTPS, FTP, DHCP, DNS, DDNS, RTP, RTSP, RTCP, NTP, SMTP
Audio:	—

DELTA-OPTI Monika Matysiak; <https://www.delta.poznan.pl>  
POL; 60-713 Poznań; Graniczna 10  
e-mail: [delta-opti@delta.poznan.pl](mailto:delta-opti@delta.poznan.pl); tel: +(48) 61 864 69 60

WEB Server:	Built-in
Max. number of on-line users:	10
ONVIF:	2.4
RS-485 interface:	—
Mobile phones support:	Port no.: 80 or access by a cloud (P2P) <ul style="list-style-type: none"> <li>• Android: Free application <a href="#">BitVision</a></li> <li>• iOS (iPhone): Free application <a href="#">BitVision</a></li> </ul>
Default admin user / password:	admin / admin
Default IP address:	192.168.1.168
Web browser access ports:	80
PC client access ports:	80
Mobile client access ports:	80
Port ONVIF:	80
RTSP URL:	rtsp://user:password@ip_address:80/0 - Main stream rtsp://user:password@ip_address:80/1 - Sub stream
Main features:	<ul style="list-style-type: none"> <li>• WDR - 96 dB - Wide Dynamic Range</li> <li>• 3D-DNR - Digital Noise Reduction</li> <li>• F-DNR (Defog) - Reduction of image noise caused by precipitation</li> <li>• ROI - improve the quality of selected parts of image</li> <li>• Flicker Control - The technology eliminates the tiring eyes flickering image effect</li> <li>• ICR - Movable InfraRed filter</li> <li>• Possibility to change the resolution, quality and bit rate</li> <li>• BLC - Back Light Compensation</li> <li>• Motion Detection</li> <li>• Privacy zones</li> <li>• Day/night mode</li> <li>• Auto White Balance</li> <li>• Sharpness - sharper image outlines</li> </ul>
Power supply:	<ul style="list-style-type: none"> <li>• PoE (802.3af),</li> <li>• 12 V DC / 440 mA</li> </ul>
Power consumption:	≤ 5.3 W
Housing:	Dome - Metal
Color:	Graphite
"Index of Protection":	IP66
Vandal-proof:	✓
Operation temp:	-20 °C ... 60 °C
Weight:	0.55 kg
Dimensions:	Ø 120 x 96 mm
Supported languages:	Polish, English, Bulgarian, Czech, French, Spanish, Dutch, German, Portuguese, Russian, Turkish, Italian
Manufacturer / Brand:	APTI
Guarantee:	2 years

## PRESENTATION

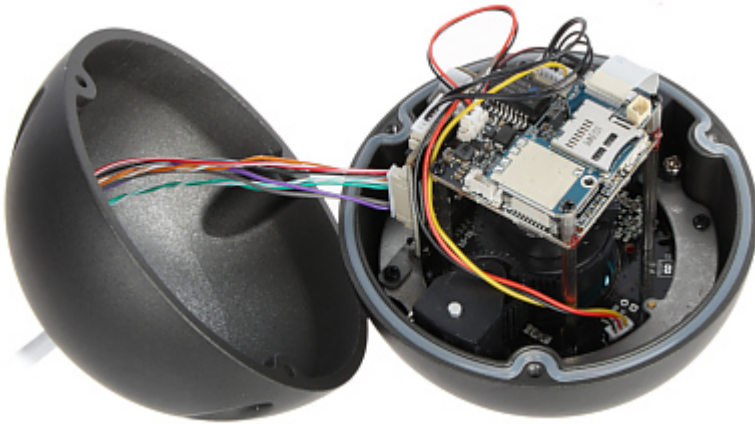
Camera is out from clamping ring:



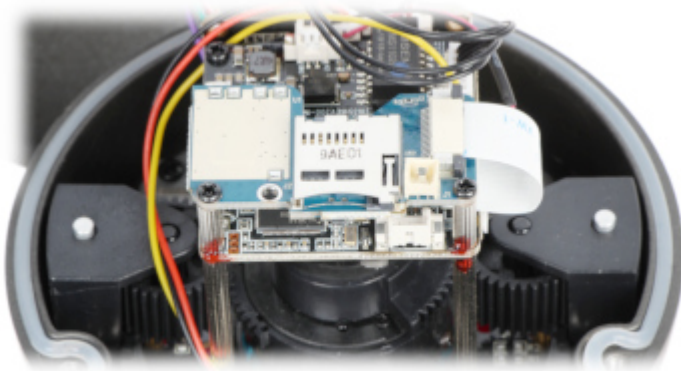
DELTA-OPTI Monika Matysiak; <https://www.delta.poznan.pl>  
POL; 60-713 Poznań; Graniczna 10  
e-mail: delta-opti@delta.poznan.pl; tel: +(48) 61 864 69 60



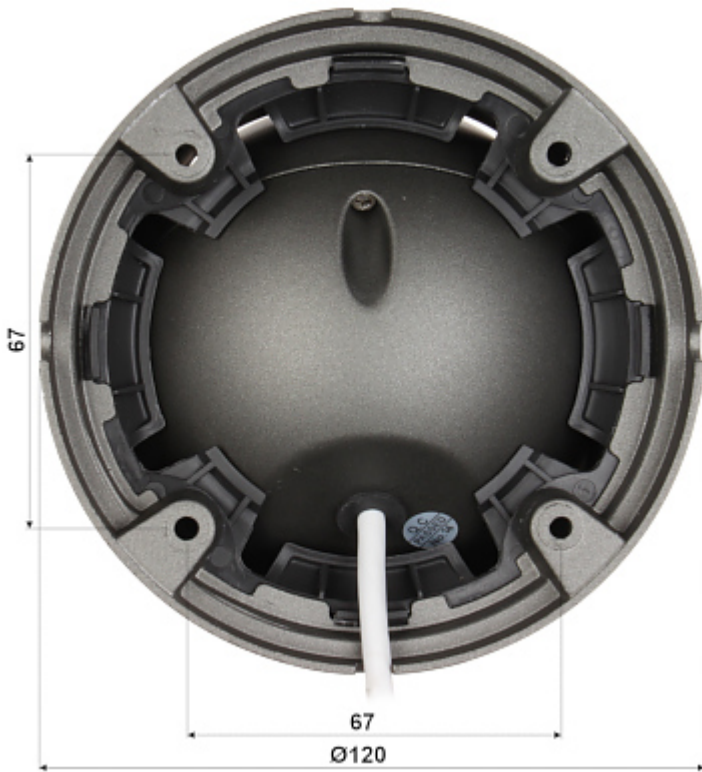
Internal view of the housing:



Memory card slot:



Mounting side view:



In the kit:



## OUR TESTS

Camera image at artificial illumination (about 30Lux):



Camera image at night conditions with internal built-in IR illuminator on:



DELTA-OPTI Monika Matysiak; <https://www.delta.poznan.pl>  
 POL; 60-713 Poznań; Graniczna 10  
 e-mail: delta-opti@delta.poznan.pl; tel: +(48) 61 864 69 60

Camera image at direct strong light opposite to camera:

