

# IP VANDALPROOF CAMERA **IPC-HDBW5541E-ZE-27135-DC12AC24V** - 5 Mpx, 2.7 ... 13.5 mm - **MOTOZOOM** DAHUA

Net: **399.26 EUR** Gross: **491.09 EUR**

IP camera with efficient H.265 / H.264 image compression algorithm for clear and smooth video streaming at maximal resolution of 5 Mpx. Due to above it is perfect solution for surveillance systems requiring persons or vehicles recognition. The used motozoom lens with 2.7 ... 13.5 mm focal length allows to remote view angle adjustment.

The "Starlight" series cameras provide a clear color image even at very poor lighting. The range of IR illumination according to the manufacturer data, depends on outer conditions (visibility - air transparency, environment, wall colors ie. scene reflectance).

PoE powering possibility, compatible with the 802.3at standard makes the device more universal and easier to install. The device is equipped with ePoE technology which enables transmission up to 800 m at a speed of 10 Mb/s or 300 m at a speed of 100 Mb/s via cat. 5e twisted-pair.

The camera has extensive functions of intelligent image analysis.



## SPECIFICATION

Standard:	TCP/IP
Sensor:	1/2.7 " Progressive Scan CMOS
Matrix size:	5 Mpx
Resolution:	2592 x 1944 - 5 Mpx , 2688 x 1520 - 4 Mpx , 2304 x 1296 - 3 Mpx , 1920 x 1080 - 1080p 1280 x 960 - 1.3 Mpx 1280 x 720 - 720p
Lens:	2.7 ... 13.5 mm - <b>Motozoom</b>
View angle:	<ul style="list-style-type: none"> <li>• 100 ° ... 28 ° (manufacturer data)</li> <li>• 96 ° ... 28 ° (our tests result)</li> </ul>
Range of IR illumination:	40 m
RS-485 interface:	—
Image compression method:	H.265+ / H.265 / H.264+ / H.264 / MJPEG
Memory card slot:	Micro SD memory cards up to 256GB support (possible local recording)
Alarm inputs / outputs:	1 / 1
Audio:	<ul style="list-style-type: none"> <li>• External microphone input</li> <li>• Audio output</li> <li>• Bi-directional audio streaming support</li> <li>• Audio detection</li> </ul>
Bitrate:	32 kb/s ... 8192 kb/s - H.264 19 kb/s ... 8192 kb/s - H.265

Network interface:	10/100 Base-T (RJ-45)
Network protocols:	HTTP, HTTPS, TCP, ARP, RTSP, RTP, UDP, RTCP, SMTP, FTP, DHCP, DNS, DDNS, PPPoE, IPv4/IPv6, SNMP, QoS, UPnP, NTP, ICMP, IGMP, IEEE 802.1x, Multicast
WEB Server:	Built-in, Web Viewer
Max. number of on-line users:	20
ONVIF:	18.06
Main stream frame rate:	25 fps @ 5 Mpx
Mobile phones support:	Port no.: 37777 or access by a cloud (P2P) <ul style="list-style-type: none"> <li>• Android: Darmowa aplikacja <a href="#">gDMSS Plus</a></li> <li>• iOS (iPhone): Darmowa aplikacja <a href="#">iDMSS Plus</a></li> </ul>
Default admin user / password:	admin / - The administrator password should be set at the first start
Default IP address:	192.168.1.108
Web browser access ports:	80, 37777
PC client access ports:	37777
Mobile client access ports:	37777
Port ONVIF:	80
RTSP URL:	rtsp://admin:hasło@192.168.1.108:554/cam/realmonitor?channel=1&subtype=0 - Main stream rtsp://admin:hasło@192.168.1.108:554/cam/realmonitor?channel=1&subtype=1 - Sub stream
Main features:	<ul style="list-style-type: none"> <li>• Motozoom lens</li> <li>• WDR - 120 dB - Wide Dynamic Range</li> <li>• EIS - Electronic Image Stabilization</li> <li>• 3D-DNR - Digital Noise Reduction</li> <li>• ROI - improve the quality of selected parts of image</li> <li>• F-DNR (Defog) - Reduction of image noise caused by precipitation</li> <li>• BLC/HLC - Back Light / High Light Compensation</li> <li>• Possibility to change the resolution, quality and bit rate</li> <li>• Motion Detection</li> <li>• Configurable Privacy Zones</li> <li>• ICR - Movable InfraRed filter</li> <li>• Mirror - Mirror image</li> <li>• Heat map - the selection in the image by corresponding colors the areas with different traffic</li> <li>• IVS analysis : crossing the line (tripwire), scene changing, intrusion - classification of people and vehicles, abandoned/missing object, people counting - detection and maintenance of 4 independent areas, detection of people gathering, face detection - supports 6 types of facial attributes extraction</li> </ul>
Power supply:	<ul style="list-style-type: none"> <li>• ePoE,</li> <li>• PoE (802.3af),</li> <li>• 12 V DC / 1.03 mA,</li> <li>• 24 V AC / 520 mA</li> </ul>
Power consumption:	< 12.4 W
Housing:	Dome - Metal
Color:	White
"Index of Protection":	IP67
Vandal-proof:	IK10
Operation temp:	-30 °C ... 60 °C
Weight:	0.88 kg
Dimensions:	Ø 159 x 118 mm
Supported languages:	Polish, English, Czech, French, Spanish, Dutch, German, Portuguese, Russian, Italian
Manufacturer / Brand:	DAHUA



**PRESENTATION**

Camera view after remove the Dome cover:





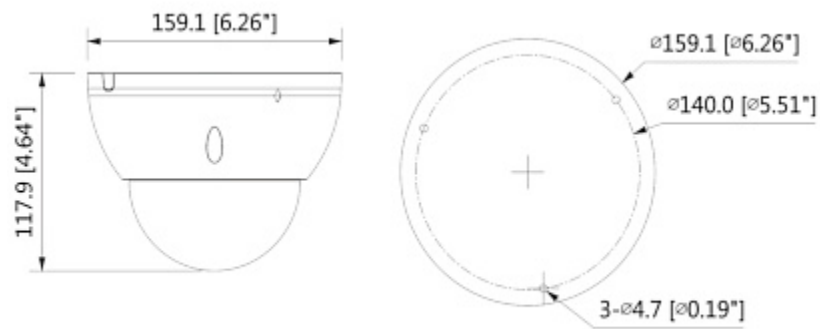
Memory card slot:



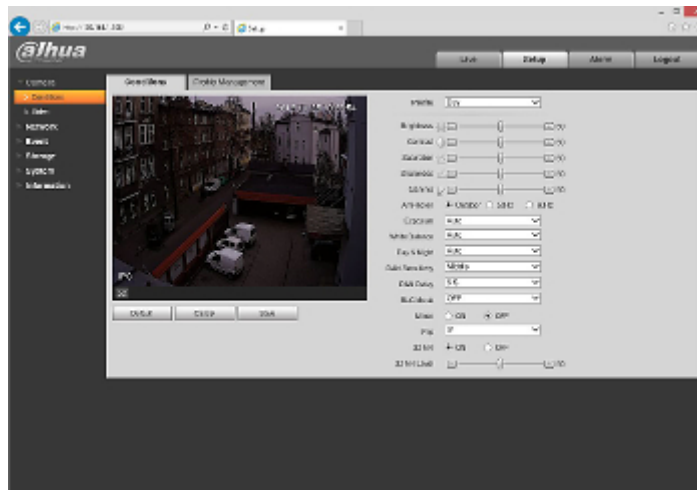
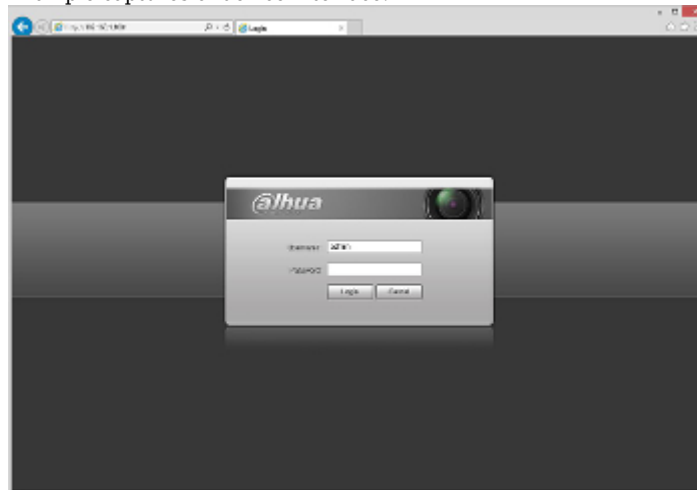
Mounting side view:



Camera dimensions:



Example captures of device interface:



See how to initialize DAHUA cameras:

:



In the kit:



## OUR TESTS

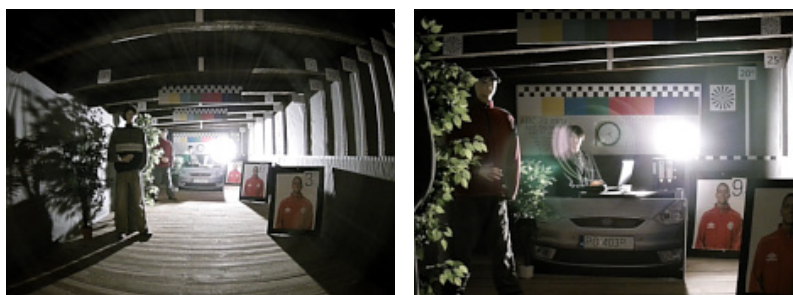
Camera image at artificial illumination (about 30Lux):



Camera image at night conditions with internal built-in IR illuminator on:



Camera image at direct strong light opposite to camera:



DELTA-OPTI Monika Matysiak; <https://www.delta.poznan.pl>  
POL; 60-713 Poznań; Graniczna 10  
e-mail: delta-opti@delta.poznan.pl; tel: +(48) 61 864 69 60

## OUR OPINIONS



- The camera has extensive functions of intelligent image analysis.

