

Code: DS-2CD2T85FWD-I5(2.8mm)

IP CAMERA **DS-2CD2T85FWD-I5(2.8mm)** - 8.3 Mpx - 4K UHD Hikvision

Net: **310.31 EUR** Gross: **381.68 EUR**

IP camera with efficient H.264/H.265 image compression algorithm for clear and smooth video streaming at maximal resolution of 3840 x 2160 (8.3 MPx).

PoE powering possibility, compatible with the 802.3af standard makes the device more universal and easier to install.



SPECIFICATION

Standard:	TCP/IP
Sensor:	1/2.5 " Progressive Scan CMOS
Scanning system:	Progressive
Matrix size:	8.3 Mpx
Resolution:	3840 x 2160 - 8.3 Mpx - 4K UHD , 3072 x 1728 - 5.3 Mpx , 2560 x 1440 - 3.7 Mpx , 1920 x 1080 - 1080p 1280 x 720 - 720p
Lens:	2.8 mm
View angle:	<ul style="list-style-type: none">• 102 ° (manufacturer data)• 100 ° (our tests result)
Compression:	H.265 / H.265+ / H.264 / H.264+ / MJPEG
S/N ratio:	> 50 dB (AGC off)
Range of IR illumination:	50 m
Alarm inputs / outputs:	—
Audio:	—
Memory card slot:	Micro SD memory cards up to 128GB support (possible local recording)
Bitrate:	32 ... 16384 kbps
Main stream frame rate:	20 fps @ 8.3 Mpx 25 fps @ 5.3 Mpx
Network interface:	10/100 Base-T (RJ-45)
Network protocols:	TCP/IP, ICMP, HTTP, HTTPS, FTP, DHCP, DNS, DDNS, RTP, RTSP, RTCP, NTP, UPnP, SMTP, SNMP, IGMP, IEEE 802.1x, UDP, PPPoE, QoS, IPv6
WEB Server:	Built-in, NVR compliance

DELTA-OPTI Monika Matysiak; <https://www.delta.poznan.pl>
POL; 60-713 Poznań; Graniczna 10
e-mail: delta-opti@delta.poznan.pl; tel: +(48) 61 864 69 60

Max. number of on-line users:	6
ONVIF:	16.12
Mobile phones support:	Port no.: 8000 or access by a cloud (P2P) <ul style="list-style-type: none"> • Android: Free application iVMS-4500 or Hik-Connect • iOS (iPhone): Free application iVMS-4500 or Hik-Connect
Default admin user / password:	admin / -
Default IP address:	192.168.1.64
Web browser access ports:	80
PC client access ports:	Port no.: 8000 or access by a cloud (P2P) - iVMS-4200 application
Mobile client access ports:	8000
Port ONVIF:	80
RTSP URL:	<ul style="list-style-type: none"> • Main stream rtsp://192.168.1.64:554/Streaming/Channels/101/ - RTSP - without authorization rtsp://user:password@192.168.1.64:554/Streaming/Channels/101/ - with authorization • Sub stream rtsp://192.168.1.64:554/Streaming/Channels/102/ - RTSP - without authorization rtsp://user:password@192.168.1.64:554/Streaming/Channels/102/ - with authorization
RS-485 interface:	—
Main features:	<ul style="list-style-type: none"> • EXIR - high-efficiency infrared LEDs technology, which evenly covers the whole plan of both central vantage points of the scene as well as the corners • The ANR (Automatic Network Replenishment) function - ensures integrity of recording data in the event of network failures. It bases on automatic saving the recording data to microSD card inserted inside the camera, and after failure is end, the recorded data are automatically synchronized with the recorder • WDR - 120 dB - Wide Dynamic Range • 3D-DNR - Digital Noise Reduction • ROI - improve the quality of selected parts of image • BLC - Back Light Compensation • Possibility to change the resolution, quality and bit rate • Motion Detection • Intelligent Image Analysis : intrusion, crossing the line (tripwire), abandoned/missing object, face detection • Configurable Privacy Zones • Mirror - Mirror image
Power supply:	<ul style="list-style-type: none"> • PoE (802.3af), • 12 V DC / 620 mA
Power consumption:	<ul style="list-style-type: none"> ≤ 9.5 W @ PoE (802.3af) ≤ 7.5 W @ 12 V DC
Housing:	Compact, Aluminum
"Index of Protection":	IP67
Color:	White
Operation temp:	-30 °C ... 60 °C
Supported languages:	English, Bulgarian, Croatian, Czech, Danish, Estonian, Finnish, French, Greek, Spanish, Dutch, Lithuanian, Latvian, German, Norwegian, Polish, Portuguese, Russian, Romanian, Serbian, Slovak, Slovenian, Swedish, Turkish, Hungarian, Italian
Weight:	1.03 kg
Dimensions:	Ø 105 x 300 mm
Manufacturer / Brand:	Hikvision
SAP Code:	300726360
Guarantee:	3 years

PRESENTATION



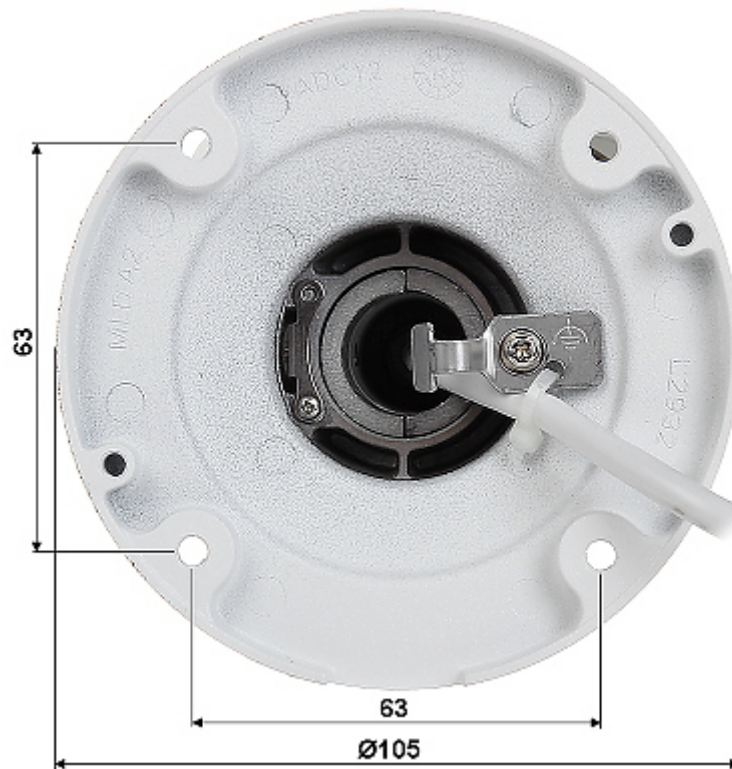
DELTA-OPTI Monika Matysiak; <https://www.delta.poznan.pl>
POL; 60-713 Poznań; Graniczna 10
e-mail: delta-opti@delta.poznan.pl; tel: +(48) 61 864 69 60



Side view:



Camera mounting side view:



Bottom view (after remove the cover):



In the kit:



OUR TESTS

Camera image at artificial illumination (about 30Lux):



Camera image at night conditions with internal built-in IR illuminator on:



Camera image at direct strong light opposite to camera:

