

Code: DS-2CD2T43G0-I5(2.8MM)

IP CAMERA DS-2CD2T43G0-I5(2.8MM) - 4.0 Mpx HIKVISION

Net: **231.57 USD** Gross: **284.83 USD**

IP camera with efficient H.265 / H.264 image compression algorithm for clear and smooth video streaming at maximal resolution of 4 MPx.

PoE powering possibility, compatible with the 802.3af standard makes the device more universal and easier to install. Camera is according to IP67 Index of Protection norm.



SPECIFICATION

Standard:	TCP/IP
Sensor:	1/3 " Progressive Scan CMOS
Scanning system:	Progressive
Matrix size:	4.1 Mpx
Resolution:	2688 x 1520 - 4.0 Mpx , 2560 x 1440 - 3.7 Mpx , 2304 x 1296 - 3 Mpx 1920 x 1080 - 1080p
Operation modes:	Main and sub streams may be in any configuration Firmware V5.5.5 build 180301 • Main stream : 2688 x 1520, 2560 x 1440, 2304 x 1296, 1920 x 1080 • Sub stream : 640 x 480, 640 x 360, 320 x 240
Lens:	2.8 mm
View angle:	• 103 ° (manufacturer data) • 100 ° (our tests result)
Compression:	H.265 / H.265+ / H.264 / H.264+ / MJPEG
S/N ratio:	> 50 dB (AGC off)
Range of IR illumination:	50 m
Alarm inputs / outputs:	—
Audio:	—
Memory card slot:	Micro SD memory cards up to 128GB support (possible local recording)
Bitrate:	256 ... 16384 kbps - H.264
Main stream frame rate:	25 fps @ 4.0 Mpx
Network interface:	10/100 Base-T (RJ-45)

Network protocols:	TCP/IP, ICMP, HTTP, HTTPS, FTP, DHCP, DNS, DDNS, RTP, RTSP, RTCP, NTP, UPnP, SMTP, SNMP, IGMP, IEEE 802.1x, UDP, PPPoE, QoS, IPv6, Bonjour
WEB Server:	Built-in, NVR compliance
Max. number of on-line users:	6
ONVIF:	16.12
Mobile phones support:	Port no.: 8000 or access by a cloud (P2P) <ul style="list-style-type: none"> • Android: Free application iVMS-4500 or Hik-Connect • iOS (iPhone): Free application iVMS-4500 or Hik-Connect
Default admin user / password:	admin / -
Default IP address:	192.168.1.64
Web browser access ports:	80
PC client access ports:	Port no.: 8000 or access by a cloud (P2P) - iVMS-4200 application
Mobile client access ports:	8000
Port ONVIF:	80
RTSP URL:	<ul style="list-style-type: none"> • Main stream rtsp://192.168.1.64:554/Streaming/Channels/101/ - RTSP - without authorization rtsp://user:password@192.168.1.64:554/Streaming/Channels/101/ - with authorization • Sub stream rtsp://192.168.1.64:554/Streaming/Channels/102/ - RTSP - without authorization rtsp://user:password@192.168.1.64:554/Streaming/Channels/102/ - with authorization
RS-485 interface:	—
Main features:	<ul style="list-style-type: none"> • WDR - 120 dB - Wide Dynamic Range • 3D-DNR - Digital Noise Reduction • ROI - improve the quality of selected parts of image • BLC/HLC - Back Light / High Light Compensation • Possibility to change the resolution, quality and bit rate • EXIR - high-efficiency infrared LEDs technology, which evenly covers the whole plan of both central vantage points of the scene as well as the corners • Intelligent Image Analysis : Motion Detection, intrusion, crossing the line (tripwire), face detection • Configurable Privacy Zones • Mirror - Mirror image
Power supply:	<ul style="list-style-type: none"> • PoE (802.3af), • 12 V DC / 620 mA
Power consumption:	<ul style="list-style-type: none"> ≤ 7.5 W @ 12 V DC ≤ 9.5 W @ PoE
Housing:	Compact, Aluminum
"Index of Protection":	IP67
Color:	White
Operation temp:	-30 °C ... 60 °C
Supported languages:	Polish, English, Bulgarian, Croatian, Czech, Danish, Estonian, Finnish, French, Greek, Spanish, Dutch, Lithuanian, Latvian, German, Norwegian, Portuguese, Russian, Romanian, Serbian, Slovak, Slovenian, Swedish, Turkish, Hungarian, Vietnamese, Italian
Weight:	1.1 kg
Dimensions:	Ø 105 x 300 mm
Manufacturer / Brand:	HIKVISION
SAP Code:	311301472
Guarantee:	3 years

PRESENTATION



DELTA-OPTI Monika Matysiak; <https://www.delta.poznan.pl>
POL; 60-713 Poznań; Graniczna 10
e-mail: delta-opti@delta.poznan.pl; tel: +(48) 61 864 69 60



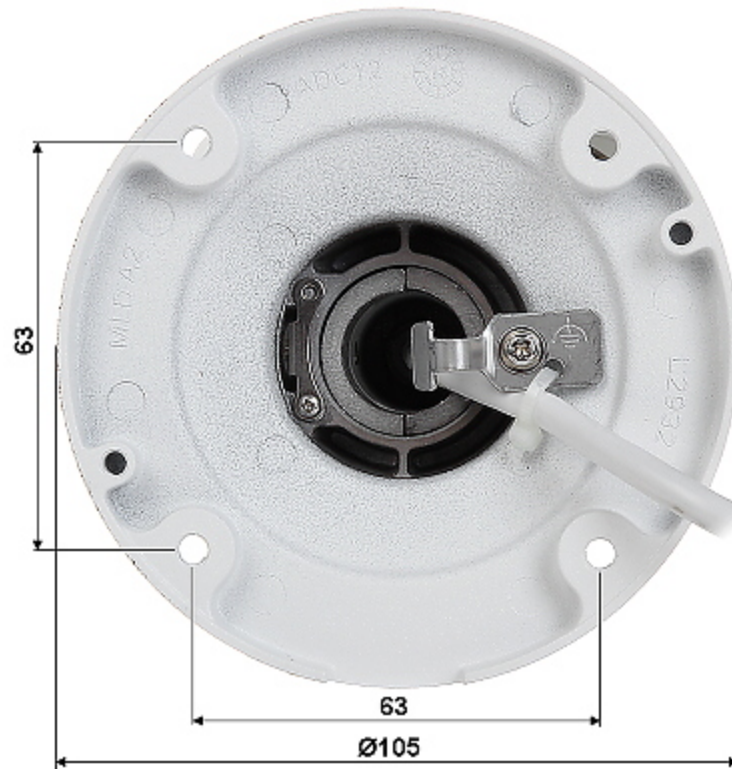
Side view:



Bottom view:



Camera mounting side view:



In the kit:



OUR TESTS

Camera image at artificial illumination (about 30Lux):



Camera image at night conditions with internal built-in IR illuminator on:



Camera image at direct strong light opposite to camera:

