

Code: IPC-HFW1530S-0280B-S6-BLACK

## IP CAMERA **IPC-HFW1530S-0280B-S6-BLACK** 5 Mpx 2.8 mm DAHUA

Net: **198.50 EUR** Gross: **198.50 EUR**

IP camera with efficient H.265 / H.264 image compression algorithm for clear and smooth video streaming at maximal resolution of 5 Mpx.

The range of IR illumination according to the manufacturer data, depends on outer conditions (visibility - air transparency, environment, wall colors ie. scene reflectance).

PoE powering possibility, compatible with the 802.3af standard makes the device more universal and easier to install.



### SPECIFICATION

Standard:	TCP/IP
Sensor:	1/2.7 " Progressive Scan CMOS
Matrix size:	5 Mpx
Resolution:	2880 x 1620 - 5 Mpx , 2688 x 1520 - 4 Mpx , 2560 x 1440 - 3.7 Mpx , 2048 x 1536 - 3 Mpx , 2304 x 1296 - 3 Mpx , 1920 x 1080 - 1080p 1280 x 960 - 1.3 Mpx 1280 x 720 - 720p
Lens:	2.8 mm
View angle:	<ul style="list-style-type: none"><li>• 106 ° (manufacturer data)</li><li>• 101 (our tests result)</li></ul>
Range of IR illumination:	30 m
RS-485 interface:	—
Memory card slot:	—
Image compression method:	H.265+ / H.265 / H.264 / H.264+ / MJPEG
Alarm inputs / outputs:	—
Audio:	<ul style="list-style-type: none"><li>• Microphone built-in</li><li>• Audio transmission via network</li><li>• Audio detection</li></ul>
Main stream frame rate:	20 fps @ 5 Mpx 25 fps @ 4 Mpx
Network interface:	10/100 Base-T (RJ-45)

DELTA-OPTI Monika Matysiak; <https://www.delta.poznan.pl>  
POL; 60-713 Poznań; Graniczna 10  
e-mail: [delta-opti@delta.poznan.pl](mailto:delta-opti@delta.poznan.pl); tel: +(48) 61 864 69 60

Network protocols:	IPv4/IPv6, HTTP, TCP, UDP, ARP, RTP, RTSP, SMTP, FTP, DHCP, DNS, DDNS, NTP, Multicast
WEB Server:	Built-in
Max. number of on-line users:	6
ONVIF:	20.06
Mobile phones support:	Port no.: 37777 or access by a cloud (P2P) <ul style="list-style-type: none"> <li>• Android: Free application <a href="#">DMSS</a></li> <li>• iOS (iPhone): Free application <a href="#">DMSS</a></li> </ul>
Default IP address:	192.168.1.108
Default admin user / password:	admin / - The administrator password should be set at the first start
Web browser access ports:	80, 37777
PC client access ports:	37777
Mobile client access ports:	37777
Port ONVIF:	80
RTSP URL:	rtsp://admin:hasło@192.168.1.108:554/cam/realmonitor?channel=1&subtype=0 - Main stream rtsp://admin:hasło@192.168.1.108:554/cam/realmonitor?channel=1&subtype=1 - Sub stream
Main features:	<ul style="list-style-type: none"> <li>• D-WDR - Wide Dynamic Range</li> <li>• 3D-DNR - Digital Noise Reduction</li> <li>• ROI - improve the quality of selected parts of image</li> <li>• BLC/HLC - Back Light / High Light Compensation</li> <li>• Possibility to change the resolution, quality and bit rate</li> <li>• Motion Detection</li> <li>• Privacy zones</li> <li>• Configurable Privacy Zones</li> <li>• Audio detection</li> <li>• Mirror - Mirror image</li> </ul>
Power supply:	<ul style="list-style-type: none"> <li>• PoE (802.3af),</li> <li>• 12 V DC / 330 mA</li> </ul>
Power consumption:	<ul style="list-style-type: none"> <li>• ≤ 3.9 W @ 12 V DC</li> <li>• ≤ 4.5 W @ PoE (802.3af)</li> </ul>
Housing:	Compact - Metal
Color:	Black
"Index of Protection":	IP67
Operation temp:	-40 °C ... 60 °C
Weight:	0.32 kg
Dimensions:	Ø 70 x 162 mm
Supported languages:	English, Spanish, Russian
Manufacturer / Brand:	DAHUA
Guarantee:	<b>3 years</b>

## PRESENTATION



DELTA-OPTI Monika Matysiak; <https://www.delta.poznan.pl>  
POL; 60-713 Poznań; Graniczna 10  
e-mail: [delta-opti@delta.poznan.pl](mailto:delta-opti@delta.poznan.pl); tel: +(48) 61 864 69 60



Side view:

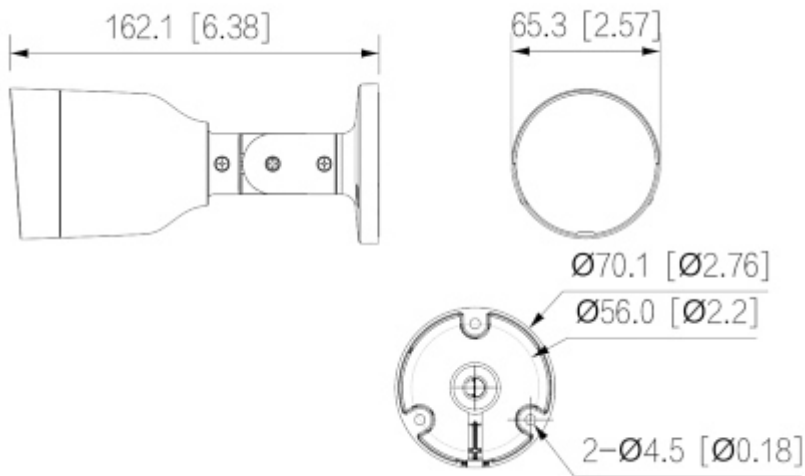


Camera mounting side view:





Dimensions:

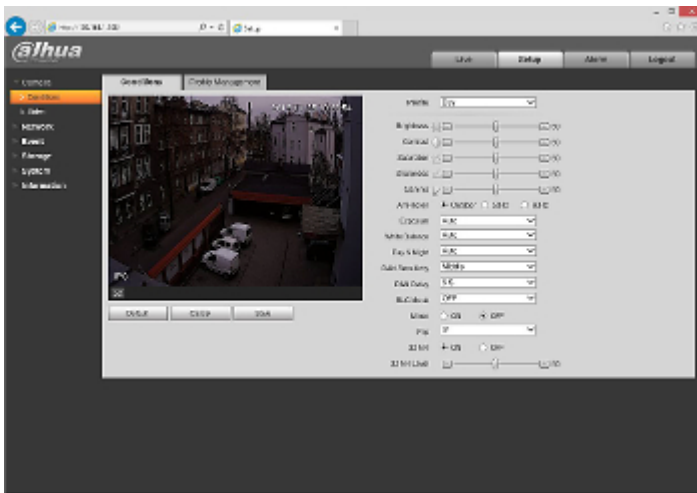


See how to initialize DAHUA cameras:

:  
In the kit:



Example captures of device interface:



## OUR TESTS

Camera image at artificial illumination (about 30Lux):



Camera image at night conditions with internal built-in IR illuminator on:



Camera image at direct strong light opposite to camera:



## PACKAGE

Dimensions (L x W x H): 0x0x0 mm	Gross Weight: 0 kg
----------------------------------	--------------------

