

Code: APTI-250C61-2812WP

## IP CAMERA **APTI-250C61-2812WP** - 1080p 2.8 ... 12 mm

Net: **100.83 USD** Gross: **124.02 USD**

IP camera with efficient H.264 / H.265 image compression algorithm for clear and smooth video streaming at maximal resolution of 1080p.

Camera bracket allows to adjust the camera to any direction, and power cables are hidden inside the bracket. The range of IR illumination according to the manufacturer data, depends on outer conditions (visibility - air transparency, environment, wall colors ie. scene reflectance).

PoE powering possibility, compatible with the 802.3af standard makes the device more universal and easier to install.



### SPECIFICATION

Standard:	TCP/IP
Sensor:	1/2.8 " Sony CMOS IMX290, STARVIS Back-illuminated
Digital Image Processor:	Hisilicon 3516C
Matrix size:	2.1 Mpx
Resolution:	1920 x 1080 - 1080p
Operation modes:	The main and sub streams can only occur in the configurations shown below : Firmware 3516CV300_IMX290_TF_W_7.1.35.4 • Main stream : 1920 x 1080 + Sub stream : 720 x 480 + 352 x 288 • Main stream : 1920 x 1080 + Sub stream : 640 x 480 + 352 x 288
Lens:	2.8 ... 12 mm, 3 Mpx
View angle:	• 85 ° ... 23 ° (manufacturer data) • 100 ° ... 37 ° (our tests result)
S/N ratio:	> 52 dB
Range of IR illumination:	60 m
IR illuminator power adjustment:	Automatic
Image compression method:	H.265 / H.265+ / H.264 / H.264+
Alarm inputs / outputs:	—
Audio:	External microphone input
Bitrate:	24 ... 9472 kbps - H.264 14 ... 5632 kbps - H.265
Main stream frame rate:	25 fps @ 1080p
Network interface:	10/100 Base-T (RJ-45)

DELTA-OPTI Monika Matysiak; <https://www.delta.poznan.pl>  
POL; 60-713 Poznań; Graniczna 10  
e-mail: [delta-opti@delta.poznan.pl](mailto:delta-opti@delta.poznan.pl); tel: +(48) 61 864 69 60

Network protocols:	TCP/IP, ICMP, HTTP, HTTPS, FTP, DHCP, DNS, DDNS, RTP, RTSP, RTCP, NTP, SMTP
Default IP address:	192.168.1.168
Default admin user / password:	admin / admin
Web browser access ports:	80
PC client access ports:	80
WEB Server:	Built-in
Mobile client access ports:	80
Max. number of on-line users:	10
Port ONVIF:	80
ONVIF:	2.4
RTSP URL:	rtsp://user:password@ip_address:80/0 - Main stream rtsp://user:password@ip_address:80/1 - Sub stream
Mobile phones support:	Port no.: 80 or access by a cloud (P2P) • Android: Free application <a href="#">FREEIP</a> • iOS (iPhone): Free application <a href="#">FREEIP</a>
RS-485 interface:	—
Main features:	<ul style="list-style-type: none"> <li>• 3D-DNR - Digital Noise Reduction</li> <li>• WDR - Wide Dynamic Range</li> <li>• ICR - Movable InfraRed filter</li> <li>• Possibility to change the resolution, quality and bit rate</li> <li>• Motion Detection</li> <li>• Privacy zones</li> <li>• Configurable: brightness, contrast, saturation</li> <li>• Sharpness - sharper image outlines</li> <li>• Mirror - Mirror image</li> <li>• RESET button - on the cable</li> </ul>
Power supply:	<ul style="list-style-type: none"> <li>• PoE (802.3af),</li> <li>• 12 V DC / 620 mA</li> </ul>
Power consumption:	≤ 7.5 W
Housing:	Compact, Metal
Color:	White
"Index of Protection":	IP66
Supported languages:	English, Bulgarian, Czech, French, Spanish, Dutch, German, Polish, Portuguese, Russian, Turkish, Italian
Operation temp:	-20 °C ... 55 °C
Weight:	1.05 kg
Dimensions:	283 x 90 x 88 mm
Manufacturer / Brand:	APTI
Guarantee:	2 years

## PRESENTATION



DELTA-OPTI Monika Matysiak; <https://www.delta.poznan.pl>  
POL; 60-713 Poznań; Graniczna 10  
e-mail: [delta-opti@delta.poznan.pl](mailto:delta-opti@delta.poznan.pl); tel: +(48) 61 864 69 60



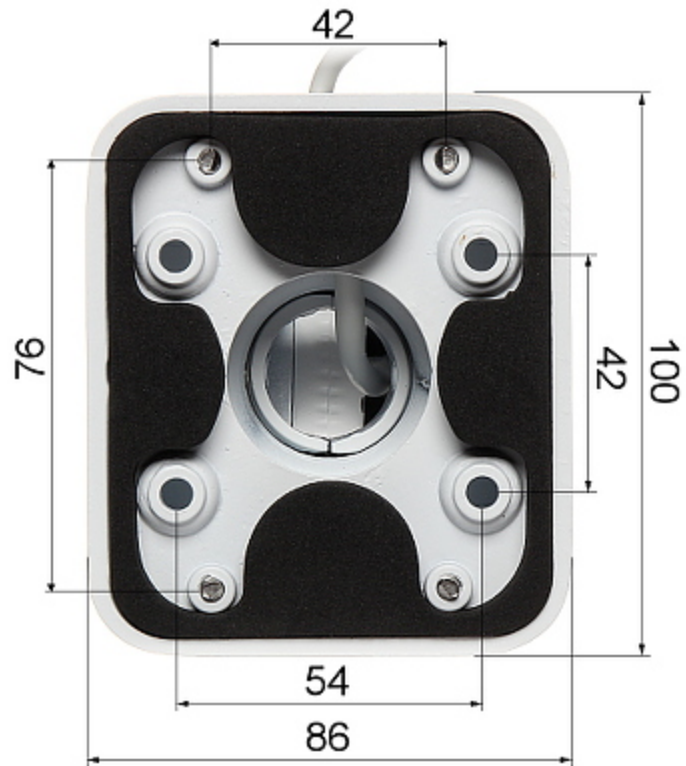
Side view:



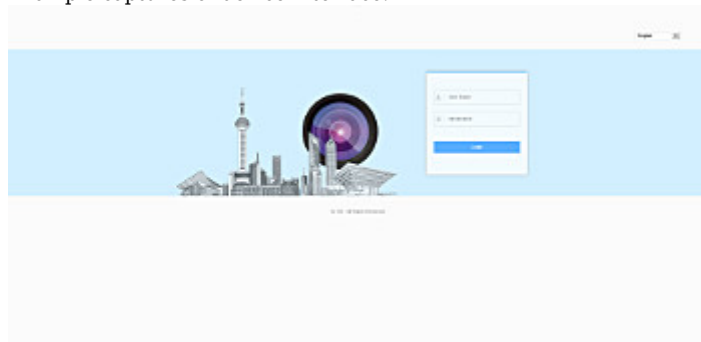
Bottom view:



Bracket dimensions:



Example captures of device interface:



In the kit:



Configuration and operation of the FreeIP cloud:

:

## OUR TESTS

Camera image at artificial illumination (about 30Lux):



Camera image at night conditions with internal built-in IR illuminator on:



Camera image at direct strong light opposite to camera:

