

Code: DS-2CD1641FWD-IZ(2.8-12mm)

## IP CAMERA **DS-2CD1641FWD-IZ(2.8-12mm)** - 4.0 Mpx Hikvision

Net: **1 154.00 PLN** Gross: **1 419.42 PLN**

IP camera with efficient H.264 image compression algorithm for clear and smooth video streaming at maximal resolution of 2688 x 1520 (4.0 MPx). Due to above it is perfect solution for surveillance systems requiring persons or vehicles recognition. The used motozoom lens with 2.8 ... 12 mm focal length allows to remote view angle adjustment.

Very easy operation by Internet Explorer browser allows the users to convenient and remote support, and also remote management of the camera. Included camera software enables management and integrated monitoring of many network cameras.



### SPECIFICATION

Standard:	TCP/IP
Sensor:	1/3 " Progressive Scan CMOS
Matrix size:	4.0 Mpx
Resolution:	2688 x 1520 - 4.0 Mpx , 2304 x 1296 - 3.0 Mpx , 1920 x 1080 - 1080p 1280 x 720 - 720p
Lens:	2.8 ... 12 mm - <b>Motozoom</b>
View angle:	<ul style="list-style-type: none"><li>• 108 ° ... 31 ° (manufacturer data)</li><li>• 108 ° ... 35 ° (our tests result)</li></ul>
Compression:	H.264+ / H.264 / MJPEG
S/N ratio:	> 50 dB (AGC off)
Range of IR illumination:	30 m
Alarm inputs / outputs:	—
Bitrate:	256 ... 16384 kbps - H.264
Main stream frame rate:	20 fps @ 4.0 Mpx 25 fps @ 1080p
Network interface:	10/100 Base-T (RJ-45)
Network protocols:	TCP/IP, ICMP, HTTP, HTTPS, FTP, DHCP, DNS, DDNS, RTP, RTSP, RTCP, NTP, UPnP, SMTP, SNMP, IGMP, IEEE 802.1x, QoS, IPv6, Bonjour
Audio:	—
WEB Server:	Built-in, NVR compliance
Memory card slot:	Micro SD memory cards up to 128GB support (possible local recording)
Mobile phones support:	Port no.: 8000 or access by a cloud (P2P) <ul style="list-style-type: none"><li>• Android: Free application <a href="#">iVMS-4500</a> or <a href="#">Hik-Connect</a></li><li>• iOS (iPhone): Free application <a href="#">iVMS-4500</a> or <a href="#">Hik-Connect</a></li></ul>

DELTA-OPTI Monika Matysiak; <https://www.delta.poznan.pl>  
POL; 60-713 Poznań; Graniczna 10  
e-mail: [delta-opti@delta.poznan.pl](mailto:delta-opti@delta.poznan.pl); tel: +(48) 61 864 69 60

Default admin user / password:	admin / -
Default IP address:	192.168.1.64
Web browser access ports:	80
PC client access ports:	Port no.: 8000 or access by a cloud (P2P) - iVMS-4200 application
Mobile client access ports:	8000
Port ONVIF:	80
RTSP URL:	<ul style="list-style-type: none"> <li>• Main stream rtsp://192.168.1.64:554/Streaming/Channels/101/ - RTSP - without authorization rtsp://user:password@192.168.1.64:554/Streaming/Channels/101/ - with authorization</li> <li>• Sub stream rtsp://192.168.1.64:554/Streaming/Channels/102/ - RTSP - without authorization rtsp://user:password@192.168.1.64:554/Streaming/Channels/102/ - with authorization</li> </ul>
RS-485 interface:	—
Max. number of on-line users:	6
Main features:	<ul style="list-style-type: none"> <li>• ICR - Movable InfraRed filter</li> <li>• WDR - 120 dB - Wide Dynamic Range</li> <li>• 3D-DNR - Digital Noise Reduction</li> <li>• AGC - Automatic Gain Control</li> <li>• WB - White Balance (ATW/AWB/manual/indoor/outdoor)</li> <li>• BLC - configurable Back Light Compensation</li> <li>• HLC - High Light Compensation (spot)</li> <li>• Day/Night mode (color/b&amp;w/auto)</li> <li>• Motion Detection</li> <li>• Configurable Privacy Zones</li> <li>• Mirror - Mirror image</li> <li>• Sharpness - sharper image outlines</li> </ul>
Power consumption:	≤ 11 W
Operation temp:	-30 °C ... 60 °C
Color:	White
"Index of Protection":	IP67
Power supply:	<ul style="list-style-type: none"> <li>• PoE (802.3af),</li> <li>• 12 V DC / 920 mA</li> </ul>
Housing:	Compact, Metal / Plastic
Supported languages:	English, Bulgarian, Chinese, Croatian, Czech, Danish, Estonian, Finnish, French, Greek, Spanish, Dutch, Japanese, Korean, Lithuanian, Latvian, German, Norwegian, Polish, Portuguese, Russian, Romanian, Serbian, Slovak, Slovenian, Swedish, Thai, Turkish, Hungarian, Vietnamese, Italian
Weight:	1.03 kg
Dimensions:	Ø 90 x 294
Manufacturer / Brand:	Hikvision
SAP Code:	300726265
Guarantee:	<b>3 years</b>

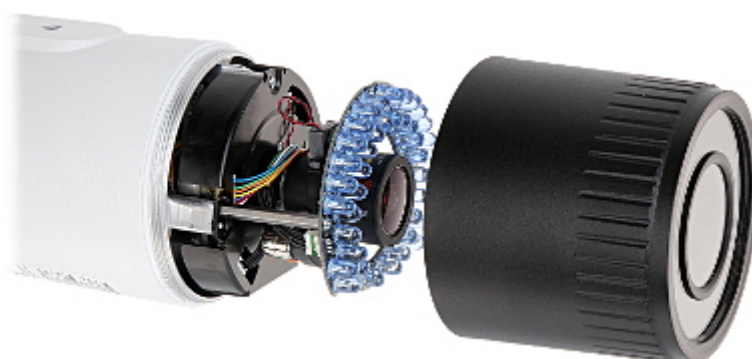
## PRESENTATION



DELTA-OPTI Monika Matysiak; <https://www.delta.poznan.pl>  
POL; 60-713 Poznań; Graniczna 10  
e-mail: delta-opti@delta.poznan.pl; tel: +(48) 61 864 69 60



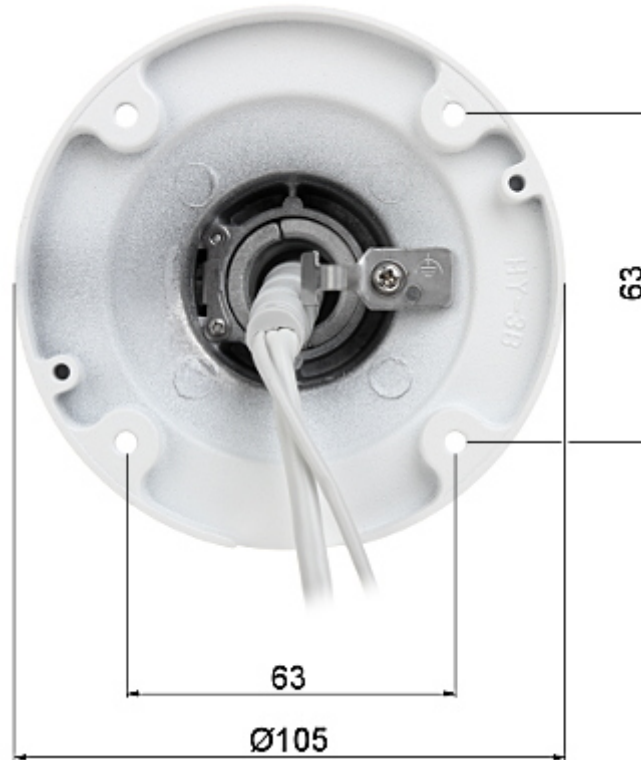
View after remove the cover:



Side view:



Camera mounting side view:



In the kit:



## OUR TESTS

Camera image at artificial illumination (about 30Lux):

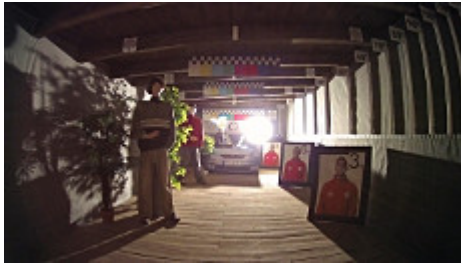


DELTA-OPTI Monika Matysiak; <https://www.delta.poznan.pl>  
POL; 60-713 Poznań; Graniczna 10  
e-mail: [delta-opti@delta.poznan.pl](mailto:delta-opti@delta.poznan.pl); tel: +(48) 61 864 69 60

Camera image at night conditions with internal built-in IR illuminator on:



Camera image at direct strong light opposite to camera:



## OUR OPINIONS



- Motozoom lens.

