

Code: APTI-41C6-2812WP

## IP CAMERA **APTI-41C6-2812WP** 4.0 Mpx 2.8 ... 12 mm

Net: **111.82 USD** Gross: **137.54 USD**

IP camera with efficient H.265 / H.264 image compression algorithm for clear and smooth video streaming at maximal resolution of 2560 x 1440 (3.7 MPx).

Camera bracket allows to adjust the camera to any direction, and power cables are hidden inside the bracket.

PoE powering possibility, compatible with the 802.3af standard makes the device more universal and easier to install.



### SPECIFICATION

Standard:	TCP/IP
Sensor:	1/3 " OmniVision OV4689 CMOS
Digital Image Processor:	Hisilicon 3516D
Matrix size:	4.0 Mpx
Resolution:	2560 x 1440 - 3.7 Mpx , 2304 x 1296 - 3.0 Mpx , 1920 x 1080 - 1080p
Operation modes:	The main and sub streams can only occur in the configurations shown below :  Firmware 3516D_OV4689_W_SD_8.1.32.3 • Main stream : 2560 x 1440 + Sub stream : 720 x 480 + 352 x 288 • Main stream : 2560 x 1440 + Sub stream : 640 x 480 + 352 x 288 • Main stream : 2304 x 1296 + Sub stream : 720 x 480 + 352 x 288 • Main stream : 1920 x 1080 + Sub stream : 720 x 480 + 352 x 288 • Main stream : 1920 x 1080 + Sub stream : 640 x 480 + 352 x 288
Lens:	2.8 ... 12 mm, 5 Mpx
View angle:	• 81 ° ... 23 ° (manufacturer data) • 80 ° ... 30 ° (our tests result)
S/N ratio:	> 50 dB
Range of IR illumination:	60 m
IR illuminator power adjustment:	Automatic
Image compression method:	H.265 / H.264 / MJPEG
Bitrate:	64 ... 12000 kbps
Main stream frame rate:	max. 20 fps - 2560 x 1440 max. 30 fps - 2304 x 1296
Alarm inputs / outputs:	—

DELTA-OPTI Monika Matysiak / VAT:PL5251295225 / 60-713 Poznań, ul. Graniczna 10  
Tel:+48 61 864 69 60 / GSM:+48 607 60 11 66 / Fax:+48 61 864 69 65 / e-mail:shop@delta.poznan.pl  
Monday-Friday: 8.00-19.00 / Saturday: 8.00-14.00

Audio:	—
Network interface:	10/100 Base-T (RJ-45)
Network protocols:	TCP/IP, ICMP, HTTP, HTTPS, FTP, DHCP, DNS, DDNS, RTP, RTSP, RTCP, NTP, SMTP
Default admin user / password:	admin / admin
Default IP address:	192.168.1.168
Web browser access ports:	80
PC client access ports:	80
WEB Server:	Built-in
Mobile client access ports:	80
Max. number of on-line users:	3
Port ONVIF:	8999
ONVIF:	2.4
RTSP URL:	rtsp://user:password@ip_address:80/0 - Main stream rtsp://user:password@ip_address:80/1 - Sub stream rtsp://user:password@ip_address:80/2 - Sub stream 2
Mobile phones support:	Port no.: 80 or access by a cloud (P2P) • Android: Free application <a href="#">FREEIP</a> • iOS (iPhone): Free application <a href="#">FREEIP</a>
RS-485 interface:	—
Main features:	<ul style="list-style-type: none"> <li>• 2D-DNR, 3D-DNR - Digital Noise Reduction</li> <li>• Possibility to change the resolution, quality and bit rate</li> <li>• BLC - Back Light Compensation</li> <li>• F-DNR (Defog) - Reduction of image noise caused by precipitation</li> <li>• ICR - Movable InfraRed filter</li> <li>• Mirror - Mirror image</li> <li>• Motion Detection</li> <li>• Privacy zones</li> <li>• Configurable: brightness, contrast, saturation</li> <li>• Sharpness - sharper image outlines</li> <li>• AGC - Automatic Gain Control</li> <li>• WB - White Balance</li> <li>• WDR - Wide Dynamic Range</li> </ul>
Power supply:	<ul style="list-style-type: none"> <li>• PoE (802.3af),</li> <li>• 12 V DC / 690 mA</li> </ul>
Housing:	Compact, Metal
Color:	White
"Index of Protection":	IP66
Supported languages:	English, Bulgarian, Czech, French, Spanish, Dutch, German, Polish, Portuguese, Russian, Turkish, Italian
Operation temp:	-20 °C ... 60 °C
Weight:	1.03 kg
Dimensions:	285 x 90 x 100 mm
Manufacturer / Brand:	APTI
Guarantee:	2 years

## PRESENTATION

DELTA-OPTI Monika Matysiak / VAT:PL5251295225 / 60-713 Poznań, ul. Graniczna 10  
Tel:+48 61 864 69 60 / GSM:+48 607 60 11 66 / Fax:+48 61 864 69 65 / e-mail:shop@delta.poznan.pl  
Monday-Friday: 8.00-19.00 / Saturday: 8.00-14.00



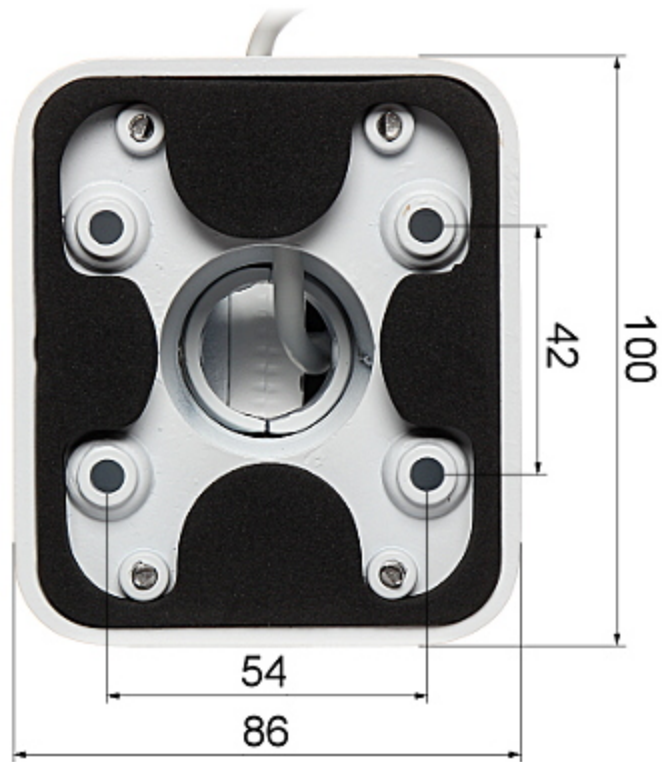
Side view:



Bottom view:



Bracket dimensions:



In the kit:

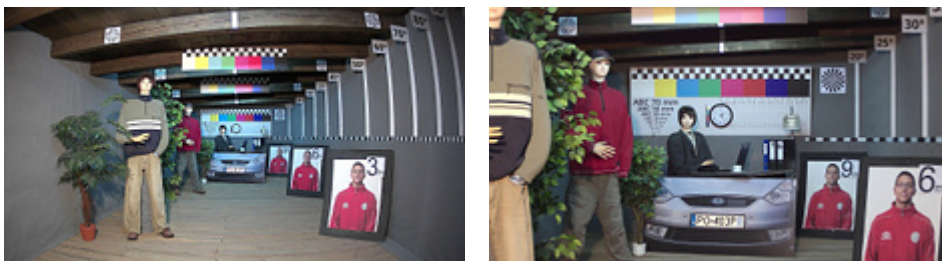


Configuration and operation of the FreeIP cloud:

:

## OUR TESTS

Camera image at artificial illumination (about 30Lux):



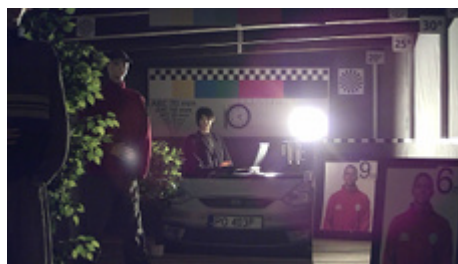
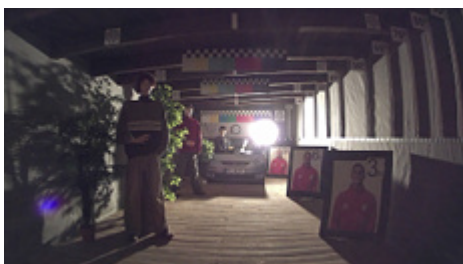
Camera image at night conditions with internal built-in IR illuminator on:



DELTA-OPTI Monika Matysiak / VAT:PL5251295225 / 60-713 Poznań, ul. Graniczna 10  
Tel:+48 61 864 69 60 / GSM:+48 607 60 11 66 / Fax:+48 61 864 69 65 / e-mail:shop@delta.poznan.pl  
Monday-Friday: 8.00-19.00 / Saturday: 8.00-14.00



Camera image at direct strong light opposite to camera:



## PACKAGE

Dimensions (L x W x H): 285x165x115 mm	Gross Weight: 1.25 kg
--	-----------------------