

Code: DS-2CD4B36FWD-IZ(2.8-12MM)

IP CAMERA **DS-2CD4B36FWD-IZ(2.8-12MM)** - 3.0 Mpx Hikvision

Net: **2 298.00 PLN** Gross: **2 826.54 PLN**

IP camera with efficient H.265 / H.264 image compression algorithm for clear and smooth video streaming at maximal resolution of 2048 x 1536 (3.1 Mpx).

The used motozoom lens with 2.8 ... 12 mm focal length allows to remote view angle adjustment. PoE powering possibility, compatible with the 802.3at standard makes the device more universal and easier to install.


The "Low Light" series cameras provide a clear color image even at very poor lighting.



SPECIFICATION

Standard:	TCP/IP
Sensor:	1/2.8 " Progressive Scan CMOS
Matrix size:	3.1 Mpx
Resolution:	2048 x 1536 - 3.0 Mpx , 1920 x 1080 - 1080p 1280 x 960 - 1.3 Mpx 1280 x 720 - 720p
Lens:	2.8 ... 12 mm - Motozoom
View angle:	88 ° ... 33 °
Range of IR illumination:	30 m
S/N ratio:	> 50 dB (AGC off)
Compression:	H.265 / H.265+ / H.264 / H.264+ / MJPEG
Main stream frame rate:	25 fps - 3 Mpx
Network interface:	10/100 Base-T (RJ-45)
Network protocols:	TCP/IP, ICMP, HTTP, HTTPS, FTP, DHCP, DNS, DDNS, RTP, RTSP, RTCP, PPPoE, NTP, UPnP, SMTP, SNMP, IGMP, IEEE 802.1x, QoS, IPv6, UDP, Bonjour
WEB Server:	Built-in, NVR compliance
Max. number of on-line users:	20
ONVIF:	16.12
Memory card slot:	Micro SD memory cards up to 128GB support (possible local recording)
Alarm inputs / outputs:	<input type="checkbox"/>
Audio:	<input type="checkbox"/>
RS-485 interface:	<input type="checkbox"/>

DELTA-OPTI Monika Matysiak; <https://www.delta.poznan.pl>
POL; 60-713 Poznań; Graniczna 10
e-mail: delta-opti@delta.poznan.pl; tel: +(48) 61 864 69 60

Mobile phones support:	Port no.: 80 or access by a cloud (P2P) <ul style="list-style-type: none"> • Android: Darmowa aplikacja iVMS-4500 or Hik-Connect • iOS (iPhone): Darmowa aplikacja iVMS-4500, or Hik-Connect
Default IP address:	192.168.1.64
Default admin user / password:	admin / - The administrator password should be set at the first start
Web browser access ports:	80
PC client access ports:	Port no.: 8000 or access by a cloud (P2P) - iVMS-4200 application
Mobile client access ports:	8000
Port ONVIF:	80
RTSP URL:	<ul style="list-style-type: none"> • Main stream rtsp://192.168.1.64:554/Streaming/Channels/101/ - RTSP - without authorization rtsp://user:password@192.168.1.64:554/Streaming/Channels/101/ - with authorization • Sub stream rtsp://192.168.1.64:554/Streaming/Channels/102/ - RTSP - without authorization rtsp://user:password@192.168.1.64:554/Streaming/Channels/102/ - with authorization
Main features:	<ul style="list-style-type: none"> • Motozoom lens - Control from a Web browser • WDR - 120 dB - Wide Dynamic Range • ROI - improve the quality of selected parts of image • F-DNR (Defog) - Reduction of image noise caused by precipitation • 3D-DNR - Digital Noise Reduction • EIS - Electronic Image Stabilization • Intelligent Image Analysis : crossing the line (tripwire), intrusion, detection of entry into the area / exit from the area, abandoned/missing object, scene changing, face detection, • ICR - Movable InfraRed filter • BLC - Back Light Compensation • Video output : CVBS
Power supply:	<ul style="list-style-type: none"> • PoE (802.3at), • 12 V DC / 940 mA
Power consumption:	<ul style="list-style-type: none"> ≤ 11.25 W @ 12 V DC ≤ 15 W @ PoE (802.3at)
Housing:	Compact, Metal / Plastic
Color:	White
"Index of Protection":	IP67
Vandal-proof:	
Operation temp:	-30 °C ... 60 °C
Weight:	1.9 kg
Dimensions:	312 x 104 x 100 mm
Supported languages:	English
Manufacturer / Brand:	Hikvision
SAP Code:	300724667
Guarantee:	3 years

PRESENTATION



DELTA-OPTI Monika Matysiak; <https://www.delta.poznan.pl>
POL; 60-713 Poznań; Graniczna 10
e-mail: delta-opti@delta.poznan.pl; tel: +(48) 61 864 69 60

Front view:



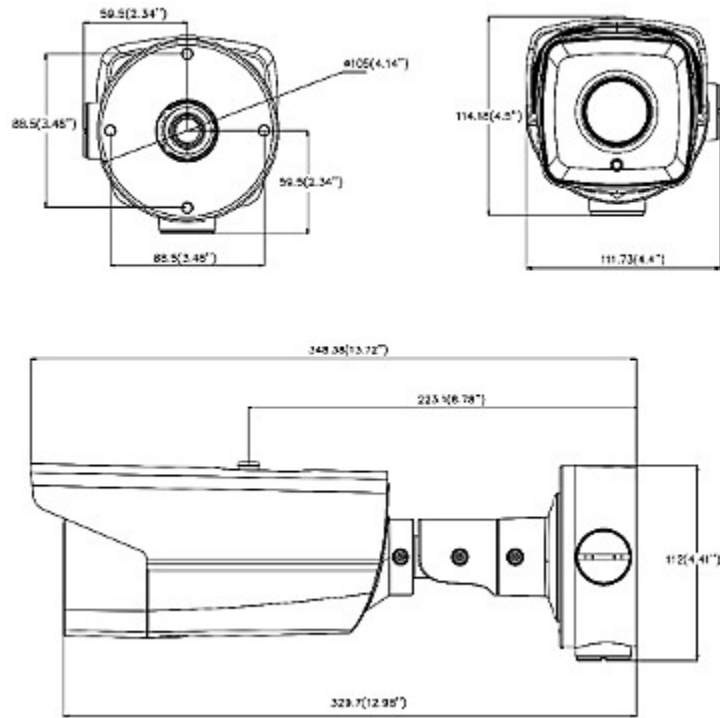
Side view:



Bottom view:



Camera dimensions:



In the kit:



OUR OPINIONS



- Motozoom lens.
- The camera is equipped with a sensor with very high sensitivity, dedicated to work in poor light conditions.