

Code: DS-2CE16D8T-AIT3ZF

AHD, HD-CVI, HD-TVI, PAL CAMERA **DS-2CE16D8T-AIT3ZF** - 1080p 2.7 ...
13.5 mm - **MOTOZOOM** Hikvision
Net: **144.78 EUR** Gross: **178.08 EUR**

Megapixel camera with Progressive scan CMOS sensor and AHD / HD-CVI / HD-TVI / PAL. The change of the AHD / HD-CVI / HD-TVI / PAL standard is done with the corresponding button by keeping it pressed for approx. 5 seconds.

The AHD / HD-CVI / HD-TVI interface allows to transmission of analog video signal via coaxial cable in max. 8 Mpx (4K UHD) resolution. During transmission there are no delays and is maintained the original, high quality image.

Camera is according to IP67 Index of Protection norm.



SPECIFICATION

Standard:	AHD / HD-CVI / HD-TVI / PAL
Sensor:	Progressive Scan CMOS
Matrix size:	2.1 Mpx
Resolution:	<ul style="list-style-type: none">• 1920 x 1080 - 1080p @ AHD / HD-CVI / HD-TVI• 960 x 576 - 960H, PAL
Video output:	1 Vpp / 75 Ω - AHD / HD-CVI / HD-TVI / CVBS
Lens:	2.7 ... 13.5 mm - Motozoom
View angle:	<ul style="list-style-type: none">• 103 ° ... 32 ° (manufacturer data)• 90 ° ... 32 ° (our tests result)
Range of IR illumination:	60 m
IR illuminator power adjustment:	Automatic
Audio:	—
Main features:	<ul style="list-style-type: none">• Motozoom lens• WDR - 130 dB - Wide Dynamic Range• 2D-DNR, 3D-DNR - Digital Noise Reduction• EXIR - high-efficiency infrared LEDs technology, which evenly covers the whole plan of both central vantage points of the scene as well as the corners• Sense-UP - increase the camera sensitivity x16• BLC - Back Light Compensation• HLC - High Light Compensation (spot)• Motion Detection - max. 4 zones• Privacy zones - max. 4• AGC - Automatic Gain Control• ICR - Movable InfraRed filter• Mirror - Mirror image• Auto White Balance• Sharpness - sharper image outlines

OSD menu:	✓
Power supply:	<ul style="list-style-type: none"> • 12 V DC / 750 mA, • 24 V AC / 380 mA
Power consumption:	≤ 9 W
Housing:	Compact, Metal
Color:	White + Black
"Index of Protection":	IP67
Operation temp:	-40 °C ... 60 °C
Weight:	0.92 kg
Dimensions:	270 x 85 x 92 mm
Manufacturer / Brand:	Hikvision
Guarantee:	3 years

PRESENTATION

Front view:



Side view:



Mounting side view:



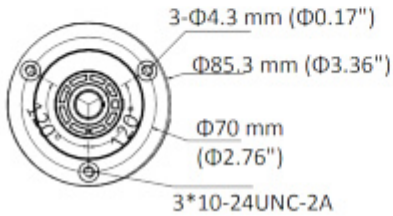
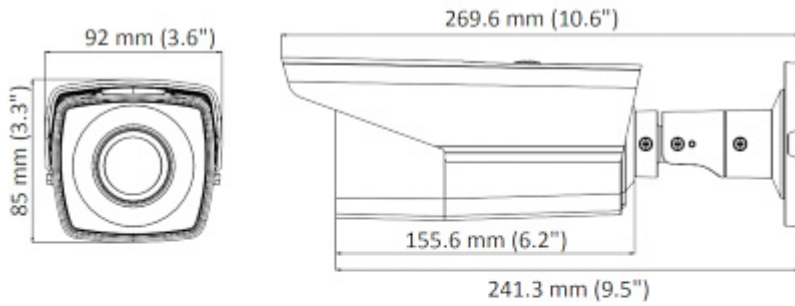
DELTA-OPTI Monika Matysiak; <https://www.delta.poznan.pl>
 POL; 60-713 Poznań; Graniczna 10
 e-mail: delta-opti@delta.poznan.pl; tel: +(48) 61 864 69 60



The change of the AHD / HD-CVI / HD-TVI / PAL standard is done with the corresponding button by keeping it pressed for approx. 5 seconds:



Dimensions:



In the kit:



OUR TESTS

AHD:

Camera image at artificial illumination (about 30Lux):



Camera image at night conditions with internal built-in IR illuminator on:



Camera image at direct strong light opposite to camera:

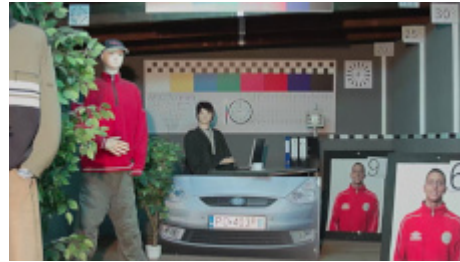


DELTA-OPTI Monika Matysiak; <https://www.delta.poznan.pl>
 POL; 60-713 Poznań; Graniczna 10
 e-mail: delta-opti@delta.poznan.pl; tel: +(48) 61 864 69 60



HD-CVI:

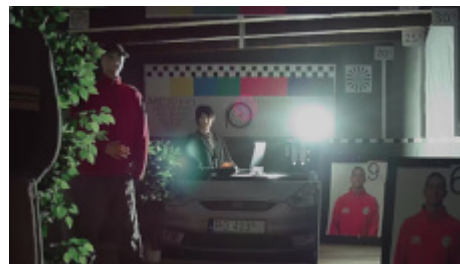
Camera image at artificial illumination (about 30Lux):



Camera image at night conditions with internal built-in IR illuminator on:



Camera image at direct strong light opposite to camera:



HD-TVI:

Camera image at artificial illumination (about 30Lux):



Camera image at night conditions with internal built-in IR illuminator on:



Camera image at direct strong light opposite to camera:

