

Code: HAC-HFW2501TU-Z-A-27135-S2

AHD, HD-CVI, HD-TVI, PAL CAMERA **HAC-HFW2501TU-Z-A-27135-S2** - 5 Mpx 2.7 ... 13.5 mm - **MOTOZOOM** DAHUA Net: **189.37 EUR** Gross: **232.93 EUR**

Megapixel camera with 1/2.7" CMOS sensor and AHD / HD-CVI / HD-TVI / PAL. Standard changes are made using configuration switches.

The AHD / HD-CVI / HD-TVI interface allows to transmission of analog video signal via coaxial cable in max. 8 Mpx (4K UHD) resolution. During transmission there are no delays and is maintained the original, high quality image.

Camera is according to IP67 Index of Protection norm.



SPECIFICATION

Standard:	AHD / HD-CVI / HD-TVI / PAL
Sensor:	1/2.7 " Progressive Scan CMOS
Matrix size:	5 Mpx
Resolution:	2880 x 1620 - 5 Mpx HD-CVI only , 2560 x 1440 - 4 Mpx , 1920 x 1080 - 1080p HD-CVI only , 960 x 576 - 960H, PAL
Video output:	AHD / HD-CVI / HD-TVI / CVBS, 1 Vpp / 75 Ω
Lens:	2.7 ... 13.5 mm - Motozoom
View angle:	<ul style="list-style-type: none">• 113 ° ... 31 ° (manufacturer data)• 110 ° ... 32 ° (our tests result)
Range of IR illumination:	80 m
IR illuminator power adjustment:	Automatic
Audio:	<ul style="list-style-type: none">• Microphone built-in - HD-CVI only
Main features:	<ul style="list-style-type: none">• Motozoom lens, AutoFocus• WDR - 120 dB - Wide Dynamic Range• 3D-DNR - Digital Noise Reduction• BLC/HLC/HLC-Pro - Back Light / High Light Compensation• AGC - Automatic Gain Control• Auto White Balance• Day/night mode• ICR - Movable InfraRed filter• Configurable Privacy Zones• F-DNR (Defog) - Reduction of image noise caused by precipitation• Mirror - Mirror image• Sharpness - sharper image outlines• D-ZOOM - Digital Zoom : 4 x
OSD menu:	✓
Power supply:	12 V DC / 890 mA

DELTA-OPTI Monika Matysiak; <https://www.delta.poznan.pl>
POL; 60-713 Poznań; Graniczna 10
e-mail: delta-opti@delta.poznan.pl; tel: +(48) 61 864 69 60

Power consumption:	≤ 10.7 W
Housing:	Compact, Aluminum
Color:	White + Black
"Index of Protection":	IP67
Operation temp:	-30 °C ... 60 °C
Weight:	0.78 kg
Dimensions:	244 x 90 x 90 mm
Manufacturer / Brand:	DAHUA
Guarantee:	3 years

PRESENTATION

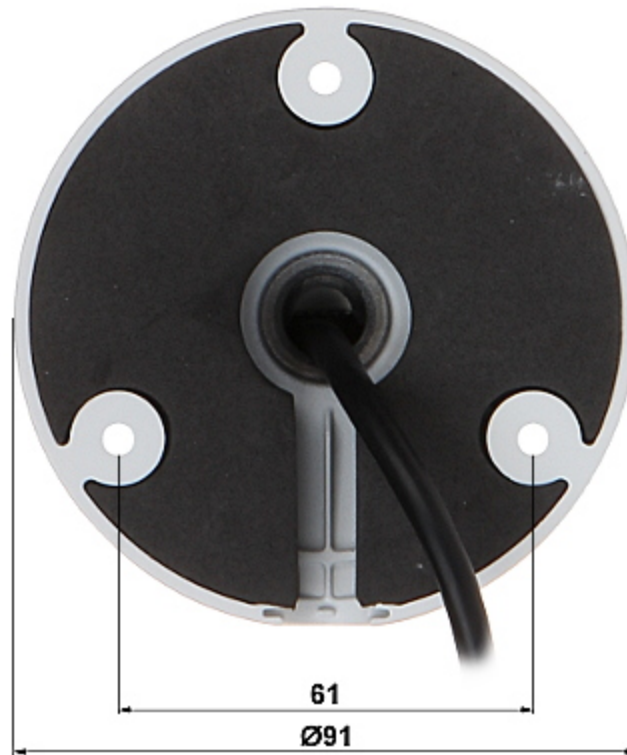
Front view:



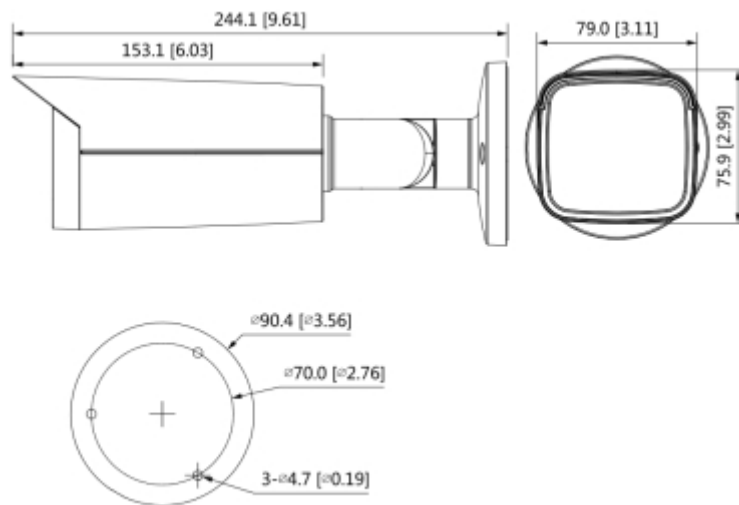
Side view:



Mounting side view:



Dimensions:



Standard changes are made using configuration switches:



In the kit:



OUR TESTS

AHD:

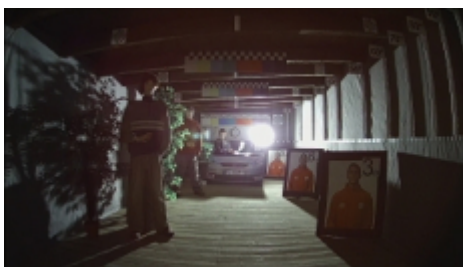
Camera image at artificial illumination (about 30Lux):



Camera image at night conditions with internal built-in IR illuminator on:



Camera image at direct strong light opposite to camera:



HD-CVI:

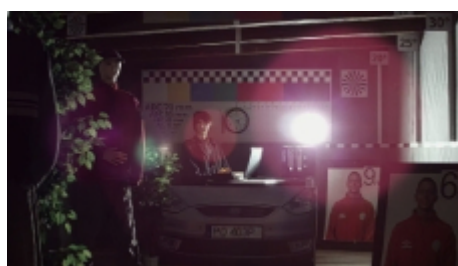
Camera image at artificial illumination (about 30Lux):



Camera image at night conditions with internal built-in IR illuminator on:



Camera image at direct strong light opposite to camera:



HD-TVI:

Camera image at artificial illumination (about 30Lux):





Camera image at night conditions with internal built-in IR illuminator on:



Camera image at direct strong light opposite to camera:

