

Code: AMBER

PIR DETECTOR **AMBER** SATEL

Net: **7.13 EUR** Gross: **7.13 EUR**

Digital passive PIR detector. The device has very small dimensions.



SPECIFICATION

Application:	Indoor
Pyroelectric sensor:	Double
Sensor type:	Passive Infra Red (PIR)
Range:	12 x 20 m, 90 °
Sensitivity adjustment:	2 - step
Autodiagnosics:	—
Alarm outputs:	NC
Pet immunity:	—
Prealarm feature:	—
Maximal outputs load:	16 V DC / 0.04 A
Digital temperature compensation:	✓
Power supply:	12 V DC / 3 mA (max)
Operation temp:	-30 ... 55 °C
Main features:	Low current consumption
Weight:	0.032 kg
Dimensions:	49 x 66 x 33 mm
Manufacturer / Brand:	SATEL
Guarantee:	2 years

DELTA-OPTI Monika Matysiak; <https://www.delta.poznan.pl>
POL; 60-713 Poznań; Graniczna 10
e-mail: delta-opti@delta.poznan.pl; tel: +(48) 61 864 69 60

PRESENTATION

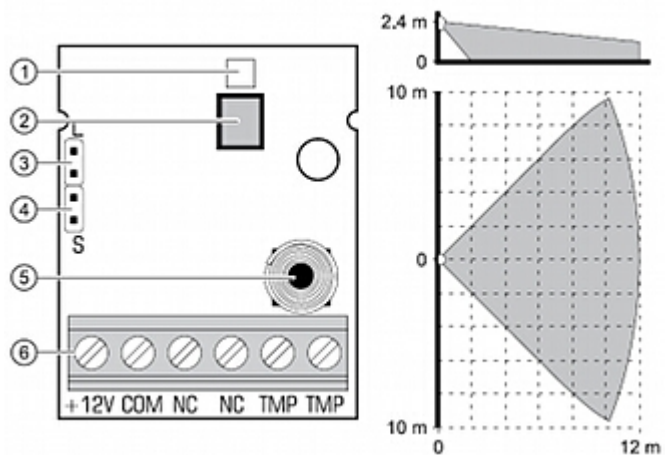
Internal view:



In the kit:



Description of particular elements of the device:



1. LED indicator
2. pyroelectric sensor
3. LED indication settings
4. configuration jumpers
5. tamper contact
6. cable terminals

PACKAGE

Dimensions (L x W x H): 0x0x0 mm	Gross Weight: 0 kg
----------------------------------	--------------------

