

Code: NAVY

## PIR AND GLASSBREAK DETECTOR NAVY SATEL

Net: 25.32 EUR Gross: 31.14 EUR



The NAVY detector allows detection of motion in the protected area and glass break detection.

### SPECIFICATION

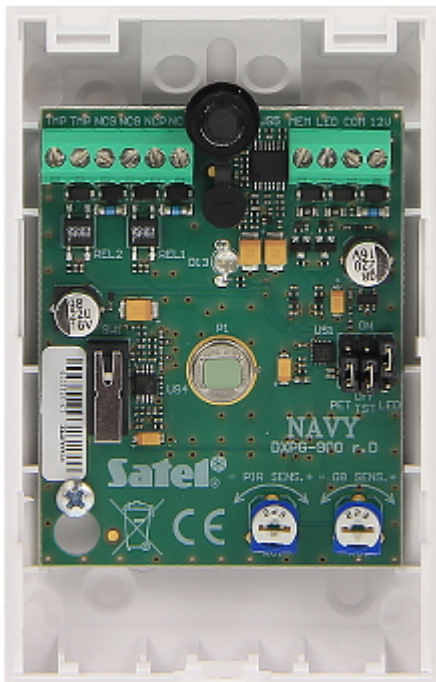
Application:	Indoor
Pyroelectric sensor:	Double
Sensor type:	<ul style="list-style-type: none"><li>• Passive Infra Red (PIR),</li><li>• Glass break detector</li></ul>
Range:	<ul style="list-style-type: none"><li>• 12 x 13 m - PIR detector,</li><li>• 6 m - Glass break detector</li></ul>
Sensitivity adjustment:	By potentiometer
Pet immunity:	✓
Alarm time:	2 s
Maximal outputs load:	40 mA / 16 V DC
Digital temperature compensation:	✓
Power supply:	12 V DC / 7.5 mA
Main features:	Alarm memory
Target speed range:	0.3 ... 3 m/s
Operation temp:	-10 °C ... 55 °C
Weight:	0.07 kg
Dimensions:	62 x 96 x 48 mm
Manufacturer / Brand:	SATEL
Guarantee:	2 years

### PRESENTATION

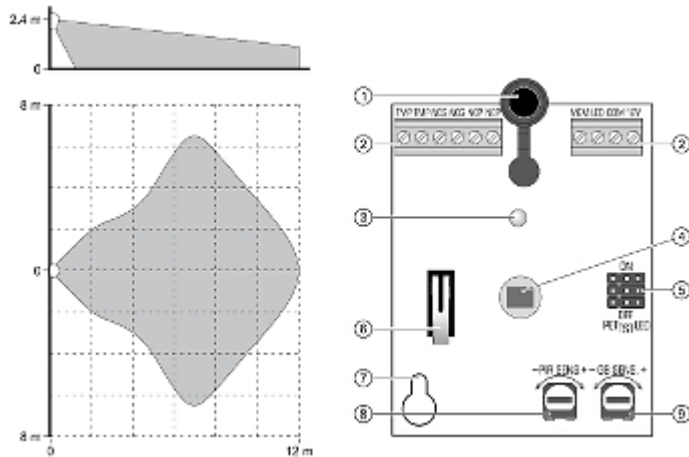


DELTA-OPTI Monika Matysiak; <https://www.delta.poznan.pl>  
POL; 60-713 Poznań; Graniczna 10  
e-mail: delta-opti@delta.poznan.pl; tel: +(48) 61 864 69 60

Internal view:



Description of particular elements of the device:



1. Microphone
2. Terminals
3. LED indicator
4. pyroelectric sensor
5. configuration jumpers
6. tamper contact
7. fixing screw hole
8. potentiometer for sensitivity control PIR
9. potentiometer for sensitivity control GB

Rear view + additional kit elements:



