

Code: JS-20

PIR DETECTOR **JS-20** JABLOTRON

Price visible after login

The JS-20 is a wired passive InfraRed detector detecting object movement having a human body temperature.



SPECIFICATION

Detection angle:	120 ° (basic lens)
Application:	Indoor
Pyroelectric sensor:	Double
Sensor type:	Passive Infra Red (PIR)
Range:	12 m (basic lens)
Recommended installation height:	2.5 m
Sensitivity adjustment:	2 - step
Autodiagnosics:	✓
Alarm outputs:	NC
Pet immunity:	—
Alarm time:	max. 180 s
Prealarm feature:	—
Maximal outputs load:	60 V DC / 50 mA
Digital temperature compensation:	✓
Power supply:	12 V DC
Maximal current consumption:	35 mA

Main features:	<ul style="list-style-type: none"> • Excellent sensitivity and at the same time false alarms are basically eliminated • Excellent RF immunity • Tamper protections • Optional lenses • Assembly : on a flat surface, inside corner of two walls • Class : II indoor area according to EN 50131-1
Operation temp:	-10 ... 40 °C
Weight:	0.08 kg
Dimensions:	61 x 110 x 52 mm
Manufacturer / Brand:	JABLOTRON
Guarantee:	2 years

PRESENTATION

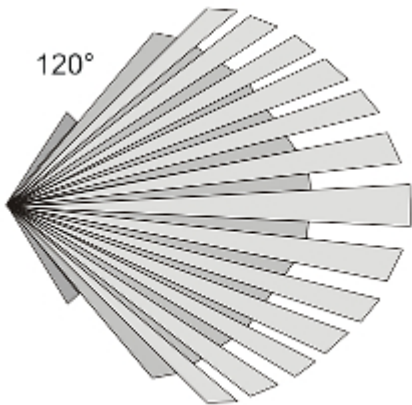
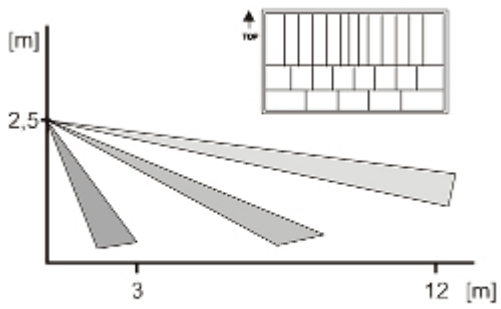
Internal view:



Mount:



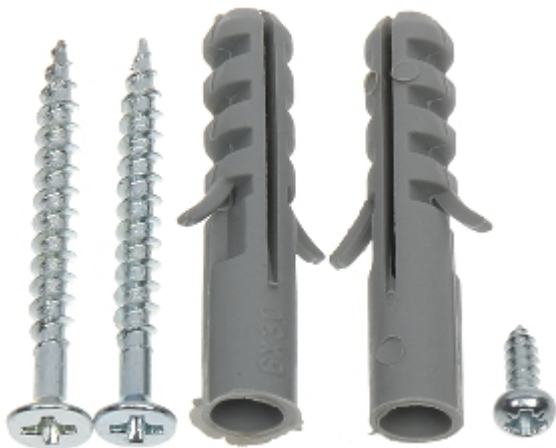
Detector range:



In the kit:



DELTA-OPTI Monika Matysiak; <https://www.delta.poznan.pl>
POL; 60-713 Poznań; Graniczna 10
e-mail: delta-opti@delta.poznan.pl; tel: +(48) 61 864 69 60



PACKAGE

Dimensions (L x W x H): 0x0x0 mm	Gross Weight: 0 kg
----------------------------------	--------------------