

Code: LE-601117

# FLUSH-MOUNTING DISTRIBUTION CABINET 12-MODULAR **LE-601117**

Practibox LEGRAND

Net: **9.55 EUR** Gross: **11.75 EUR**

1-row 12-modular flush-mounting distribution electric cabinet.



## SPECIFICATION

Method of mounting:	Flush
Number of mounted modules:	12 x 1 row
Spacing between TH 35 rails:	—
Transparent door:	✓
Main features:	<ul style="list-style-type: none"><li>• Chassis with the TH 35 rails</li><li>• Reversible front panel</li><li>• Max. current : 63 A</li><li>• Equipped with terminal blocks</li></ul>
Equipment:	Terminal blocks : 2 x ( 4 x 16 mm <sup>2</sup> + 4 x 10 mm <sup>2</sup> )
Material:	Self-extinguishing
Color:	White
"Index of Protection":	IP40
IK rating:	IK07
Complies with norms:	PN-EN 60439-3, IEC/EN 61439-3
Weight:	0.685 kg
Dimensions:	334 x 225 x 103 mm , 287 x 208 x 72 mm - flush-mounting box
Manufacturer / Brand:	LEGRAND
Guarantee:	2 years

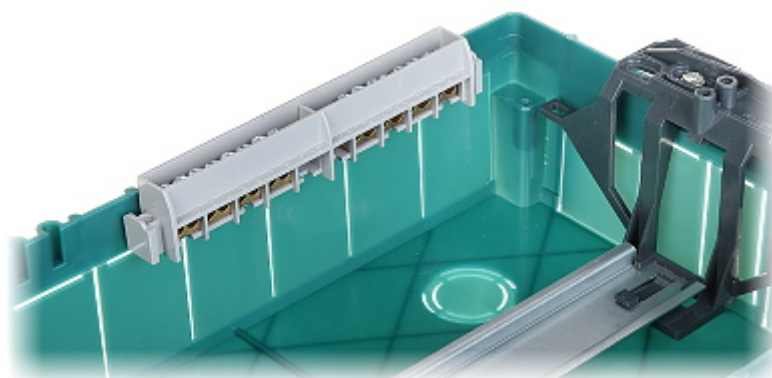
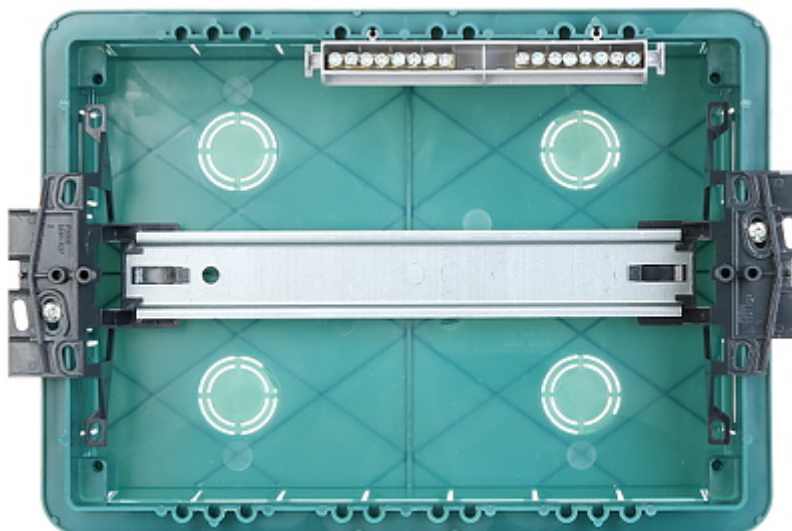
DELTA-OPTI Monika Matysiak; <https://www.delta.poznan.pl>  
POL; 60-713 Poznań; Graniczna 10  
e-mail: [delta-opti@delta.poznan.pl](mailto:delta-opti@delta.poznan.pl); tel: +(48) 61 864 69 60

## PRESENTATION

Front view:



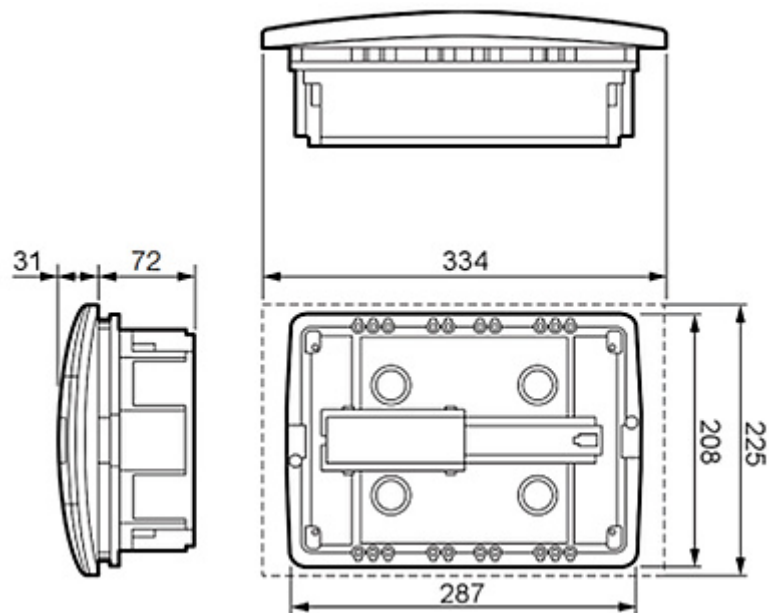
Internal view of the housing:



Mounting side view:



Dimensions:



In the kit:

