

Code: LE-601947

SURFACE-MOUNTING HERMETIC DISTRIBUTION CABINET 54-MODULAR
LE-601947 RN65 LEGRAND
Net: **98.79 EUR** Gross: **121.51 EUR**



3-row 54-modular surface-mounting, hermetic distribution electric cabinet.

SPECIFICATION

Method of mounting:	Surface
Number of mounted modules:	18 x 3 rows
Spacing between TH 35 rails:	150 mm
Transparent door:	✓
Main features:	<ul style="list-style-type: none">• Weatherproof cabinet• Fully reversible door and cabinet• Removable chassis and faceplates• The TH 35 rail with 2-position mounting for modular products• Can be fitted with perforated plates and solid faceplates for mounting non-modular products• Lockable door handle, sealable cover and faceplate• Rated voltage : 400 V AC, 50 / 60 Hz• Max. current : 125 A• Short-circuit current : 10 kA• Equipped with terminal blocks and modules blanking plates
Equipment:	<ul style="list-style-type: none">• Terminal blocks 1 x (26 x 1.5 ... 16 mm² + 1 x 6 ... 25 mm²) 4 x (8 x 1.5 ... 16 mm²)• Module blanking plates : 3 x 5 pcs
Material:	Self-extinguishing
Color:	Light gray
"Index of Protection":	IP65
IK rating:	IK09

DELTA-OPTI Monika Matysiak; <https://www.delta.poznan.pl>
POL; 60-713 Poznań; Graniczna 10
e-mail: delta-opti@delta.poznan.pl; tel: +(48) 61 864 69 60

Complies with norms:	PN-EN 60439-3, IEC 60695-2-11, IEC 62262
Operation temp:	-25 °C ... 40 °C
Weight:	5.580 kg
Dimensions:	448 x 622 x 161 mm
Manufacturer / Brand:	LEGRAND
Guarantee:	2 years

PRESENTATION

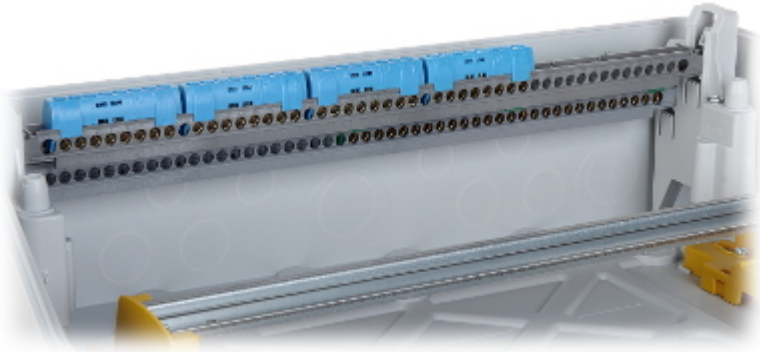
Front view:





Internal view of the housing:





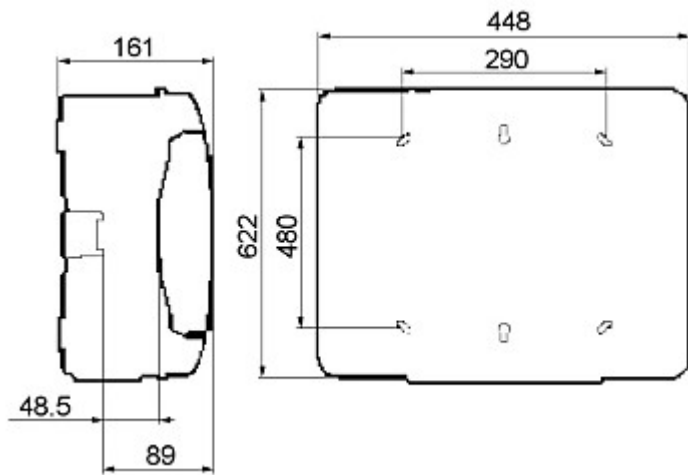
Mounting side view:



Bottom view:



Dimensions:



In the kit:

